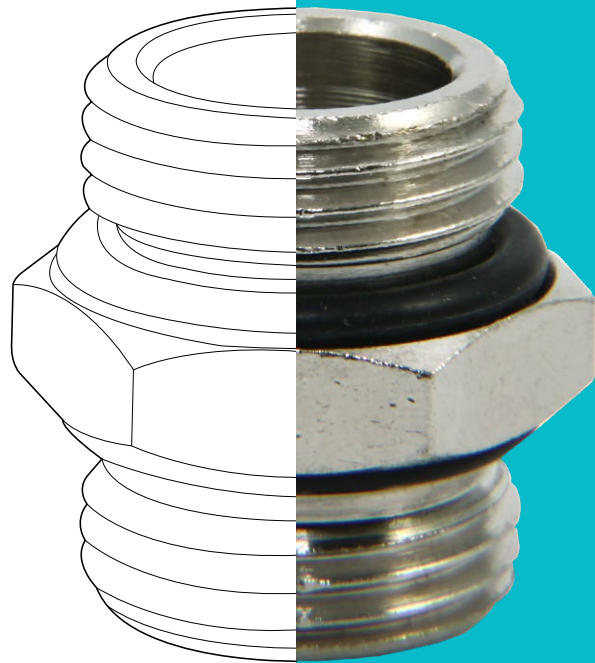


# STANDARD FITTINGS



# TECHNICAL INDEX



P. 295 /  
**MICROCAST FITTINGS**



P. 303 /  
**BRASS STANDARD FITTINGS**



P. 319 /  
**BAYONED JOINT FITTINGS AND ACCESSORIES**



P. 327 /  
**NYLON STANDARD FITTINGS**



P. 337 /  
**PVDF STANDARD FITTINGS**



P. 343 /  
**STANDARD FITTINGS INOX AISI 316**



P. 351 /  
**DISTRIBUTION MANIFOLDS**



P. 355 /  
**DISTRIBUTION MANIFOLDS INOX AISI 304**



P. 357 /  
**SILENCERS**



# STANDARD FITTINGS MICROCAST

PLUS

STAINLESS STEEL AISI 316

EASY TO ASSEMBLY





p. 297 / **1410MF**



p. 298 / **1412MF**



p. 298 / **1416MF**



p. 298 / **1420-P3**



p. 299 / **1425-P3**



p. 299 / **1425**



p. 299 / **1440**



p. 300 / **1450**



p. 300 / **1455**



p. 300 / **1469**



p. 301 / **1475**



p. 301 / **1480**



p. 301 / **1485**



p. 302 / **1490**





from -20°C to +200°C



16 Bar



Male threads taper  
BSPT R1/8" to R2"  
Female threads parallel BSPP  
from G1/8" to G2"



Stainless steel AISI 316 microcast

**FEATURES**

Pressure for intermediate temperatures may be determined by interpolation method. Temperatures indicated are related to the internal fluid flow. External piping loads, stress and moments over external walls are not taken in consideration.



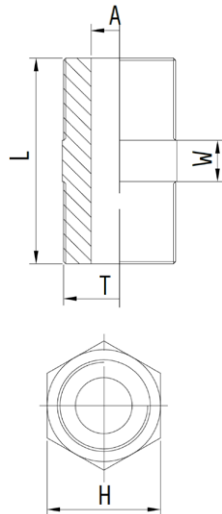
Products in compliance with the directive 2002/95/EC

**RoHS2**

Products in compliance with the directive 2011/65/EU

**1410MF**

Nipple connector

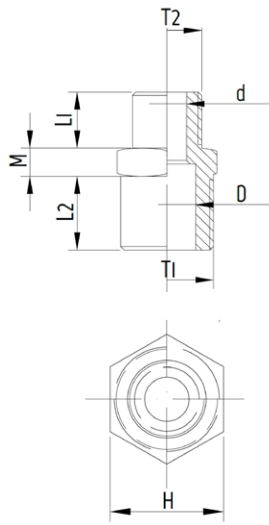


CODE	T	L	A	W	H
1410MF18	R1/8"	20,0	5,5	4,0	11,0
1410MF14	R1/4"	25,0	9,0	4,0	15,0
1410MF38	R3/8"	27,0	11,5	5,0	19,0
1410MF12	R1/2"	34,0	15,0	5,0	23,0
1410MF34	R3/4"	36,5	20,5	5,5	28,0
1410MF1	R1"	42,0	26,0	6,0	34,0
1410MF114	R1-1/4"	47,5	34,5	6,5	44,0
1410MF112	R1-1/2"	47,5	40,0	6,5	50,0
1410MF2	R2"	57,0	51,0	7,0	62,0



1412MF

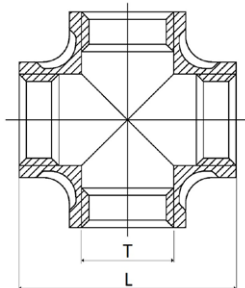
Reduced nipple connector



CODE	T1	T2	L1	L2	M	d	D	H
1412MF1418	R1/4"	R1/8"	8,0	10,5	4,0	5,5	8,0	14,5
1412MF3818	R3/8"	R1/8"	8,0	11,0	5,0	5,5	11,5	18,0
1412MF3814	R3/8"	R1/4"	10,5	11,0	5,0	8,0	11,5	18,0
1412MF1214	R1/2"	R1/4"	10,5	14,5	5,0	8,0	15,0	22,0
1412MF1238	R1/2"	R3/8"	11,0	14,5	5,0	11,5	15,0	22,0
1412MF3438	R3/4"	R3/8"	11,0	15,5	5,5	11,5	20,5	28,0
1412MF3412	R3/4"	R1/2"	14,5	15,5	5,5	15,0	20,5	28,0
1412MF138	1"	R3/8"	11,0	18,0	6,0	11,5	26,0	35,0
1412MF112	1"	R1/2"	14,5	18,0	6,0	15,0	26,0	35,0
1412MF134	1"	R3/4"	15,5	18,0	6,0	20,5	26,0	35,0
1412MF11434	1-1/4"	R3/4"	15,5	20,5	6,5	20,5	34,5	43,5
1412MF1141	1-1/4"	1"	18,0	20,5	6,5	26,0	34,5	43,5
1412MF1121	1-1/2"	1"	18,0	20,5	6,5	26,0	40,0	49,0
1412MF112114	1-1/2"	1-1/4"	20,5	20,5	6,5	34,5	40,0	49,0
1412MF21	2"	1"	18,0	25,0	7,0	26,0	51,0	61,5
1412MF2114	2"	1-1/4"	20,5	25,0	7,0	34,5	51,0	61,5
1412MF2112	2"	1-1/2"	20,5	25,0	7,0	40,0	51,0	61,5

1416MF

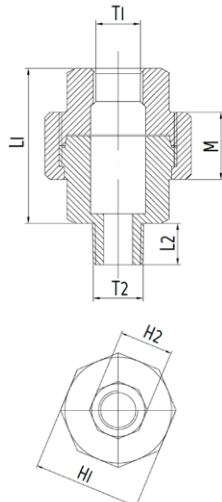
Female cross



CODE	T	L	DN
1416MF18	G1/8"	34,0	6
1416MF14	G1/4"	38,0	8
1416MF38	G3/8"	45,0	10
1416MF12	G1/2"	51,0	15
1416MF34	G3/4"	62,0	20
1416MF1	G1"	72,0	25
1416MF114	G1-1/4"	86,0	32
1416MF112	G1-1/2"	95,0	40
1416MF2	G2"	110,0	50
1416MF212	G2-1/2"	132,0	65

1420-P3

Nipple M/F in 3 pieces

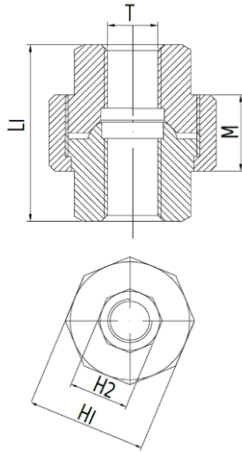


CODE	T1	T2	L1	L2	M	H1	H2
1420MF18P3	G1/8"	R1/8"	30,0	8,0	13,0	26	13
1420MF14P3	G1/4"	R1/4"	33,5	10,5	13,5	29	16,5
1420MF38P3	G3/8"	R3/8"	36,5	11,0	15,0	34	20
1420MF12P3	G1/2"	R1/2"	39,5	14,5	16,0	37	24,5



## 1425-P3

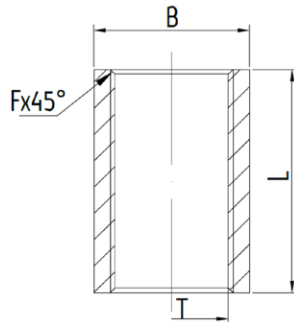
Nipple F/F in 3 pieces



CODE	T	L1	M	H1	H2
1425MF18P3	G1/8"	30,0	13,0	26	13
1425MF14P3	G1/4"	33,5	13,5	29	16,5
1425MF38P3	G3/8"	36,5	15,0	34	20
1425MF12P3	G1/2"	39,5	16,0	37	24,5
1425MF34P3	G3/4"	42,5	17,0	44	30
1425MF1P3	G1"	50,0	20,0	52,5	37

## 1425

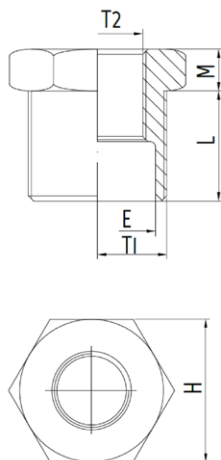
Sleeve F/F



CODE	T	L	F	B
1425MF18	G1/8"	17,0	0,6	13,0
1425MF14	G1/4"	24,0	1,0	16,5
1425MF38	G3/8"	25,0	1,0	20,0
1425MF12	G1/2"	32,0	1,2	24,5
1425MF34	G3/4"	35,0	1,2	30,0
1425MF1	G1"	41,0	1,6	37,0
1425MF114	G1-1/4"	45,0	1,6	46,5
1425MF112	G1-1/2"	45,0	1,6	53,0
1425MF2	G2"	54,0	1,6	65,0

## 1440

M/F reducer

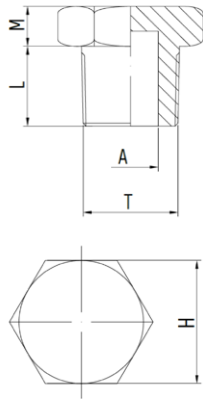


CODE	T1	T2	E	L	M	H
1440MF1418	R1/4"	G1/8"	8,0	10,5	4,0	14,5
1440MF3818	R3/8"	G1/8"	11,5	11,0	5,0	18,5
1440MF3814	R3/8"	G1/4"	11,5	11,0	5,0	18,5
1440MF1214	R1/2"	G1/4"	15,0	14,5	5,0	22,5
1440MF1238	R1/2"	G3/8"	15,0	14,5	5,0	22,5
1440MF3438	R3/4"	G3/8"	20,5	15,5	5,5	28,0
1440MF3412	R3/4"	G1/2"	20,5	15,5	5,5	28,0
1440MF112	R1"	G1/2"	26,0	18,0	6,0	35,0
1440MF134	R1"	G3/4"	26,0	18,0	6,0	35,0
1440MF11434	R1-1/4"	G3/4"	34,5	20,5	6,5	44,0
1440MF1141	R1-1/4"	G1"	34,5	20,5	6,5	44,0
1440MF1121	R1-1/2"	G1"	40,0	20,5	6,5	49,5
1440MF112114	R1-1/2"	G1-1/4"	40,0	20,5	6,5	49,5
1440MF2114	R2"	G1-1/4"	51,0	25,0	7,0	61,5
1440MF2112	R2"	G1-1/2"	51,0	25,0	7,0	61,5



1450

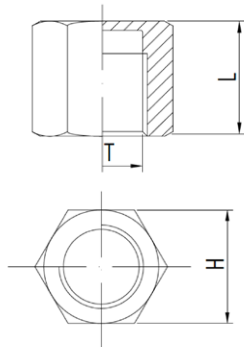
Male plug



CODE	T	L	M	A	H
1450MF18	G1/8"	8,0	4,0	5,5	12,5
1450MF14	G1/4"	10,5	4,0	8,0	15,0
1450MF38	G3/8"	11,0	5,0	11,5	18,5
1450MF12	G1/2"	14,5	5,0	15,0	22,5
1450MF34	G3/4"	15,5	5,5	20,5	28,0
1450MF1	G1"	18,0	6,0	26,0	35,0
1450MF114	G1-1/4"	20,5	6,5	34,5	44,0
1450MF112	G1-1/2"	20,5	6,5	40,0	50,5
1450MF2	G2"	25,0	7,0	51,0	62,5

1455

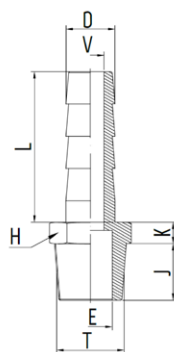
Female plug



CODE	T	L	H
1455MF18	G1/8"	12,5	13
1455MF14	G1/4"	16,0	16,5
1455MF38	G3/8"	16,5	20
1455MF12	G1/2"	21,0	24,5
1455MF34	G3/4"	22,5	30
1455MF1	G1"	26,0	37
1455MF114	G1-1/4"	29,0	46,5
1455MF112	G1-1/2"	29,0	53
1455MF2	G2"	33,5	65

1469

Barb connector BSPT thread



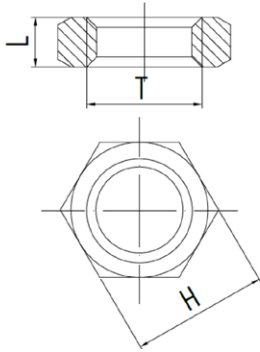
CODE	T	E	J	K	L	V	D	H
1469MF18T7	R1/8"	5,7	11,0	6,3	23,7	4,0	6,7	13
1469MF14T9	R1/4"	8,0	10,5	4,0	28,0	5,0	9,0	15
1469MF38T11	R3/8"	11,5	11,0	5,0	33,0	7,0	11,5	18
1469MF12T15	R1/2"	15,0	14,5	5,0	38,0	10,5	15,0	22
1469MF34T20	R3/4"	20,5	15,5	5,5	45,0	15,0	20,0	28
1469MF1T265	R1"	26,0	18,0	6,0	52,0	22,0	26,5	35
1469MF114T34	R1-1/4"	34,5	20,5	6,5	52,0	27,5	34	44
1469MF112T40	R1-1/2"	40,0	20,5	6,5	56,0	34,0	40	50
1469MF2T52	R2"	51,0	25,0	7,0	60,0	45,0	52,0	61,5





## 1475

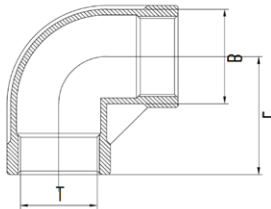
## Bulkhead locking nut



CODE	T	L	H
1475MF18	G1/8"	6,0	15
1475MF14	G1/4"	6,0	18
1475MF38	G3/8"	6,0	24
1475MF12	G1/2"	7,0	30
1475MF34	G3/4"	7,0	34
1475MF1	G1"	9,0	42,5
1475MF114	G1-1/4"	11,0	52
1475MF112	G1-1/2"	11,0	58
1475MF2	G2"	13,0	72

## 1480

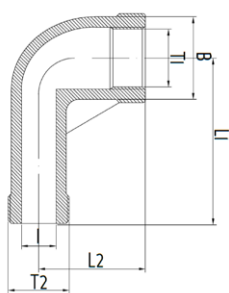
## Elbow female BSPP thread



CODE	T	L	B
1480MF18	G1/8"	17,0	13,0
1480MF14	G1/4"	19,0	16,5
1480MF38	G3/8"	23,0	20,0
1480MF12	G1/2"	27,0	24,5
1480MF34	G3/4"	32,0	30,0
1480MF1	G1"	38,0	37,5
1480MF114	G1-1/4"	45,0	46,5
1480MF112	G1-1/2"	48,0	53,0
1480MF2	G2"	57,0	65,5

## 1485

## Elbow male BSPT thread and female BSPP thread

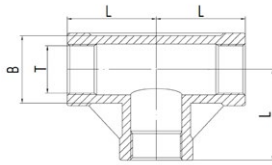


CODE	T1	T2	B	L1	L2	I
1485MF18	G1/8"	R1/8"	13,0	26,0	17,0	5,5
1485MF14	G1/4"	R1/4"	16,5	27,0	19,0	8,0
1485MF38	G3/8"	R3/8"	19,7	29,0	23,0	11,5
1485MF12	G1/2"	R1/2"	24,5	35,0	27,0	15,0
1485MF34	G3/4"	R3/4"	30,0	40,0	32,0	20,5
1485MF1	G1"	R1"	37,5	46,0	38,0	26,0
1485MF114	G1-1/4"	R1-1/4"	46,5	54,0	45,0	34,5
1485MF112	G1-1/2"	R1-1/2"	53,0	57,0	48,0	40,0
1485MF2	G2"	R2"	65,5	70,0	57,0	51,0



1490

Tee female BSPP thread



CODE	T	L	B
1490MF18	G1/8"	17,0	13,0
1490MF14	G1/4"	19,0	16,5
1490MF38	G3/8"	23,0	20,0
1490MF12	G1/2"	27,0	24,5
1490MF34	G3/4"	32,0	30,0
1490MF1	G1"	38,0	37,5
1490MF114	G1-1/4"	45,0	46,5
1490MF112	G1-1/2"	48,0	53,0
1490MF2	G2"	57,0	65,5



# STANDARD FITTINGS BRASS

PLUS

MECHANICAL RESISTANCE

PRINTED MATERIAL FOR BETTER  
MECHANICAL STRENGTH





p. 305 / **1105**



p. 305 / **1106**



p. 306 / **1107**



p. 306 / **1108**



p. 306 / **1110**



p. 307 / **1112**



p. 307 / **1115**



p. 307 / **1116**



p. 308 / **1118**



p. 308 / **1120**



p. 308 / **1122**



p. 309 / **1125**



p. 309 / **1126**



p. 309 / **1130**



p. 310 / **1135**



p. 310 / **1136**



p. 310 / **1140**



p. 311 / **1145**



p. 311 / **1148**



p. 311 / **1149**



p. 311 / **1150**



p. 312 / **1155**



p. 312 / **1160**



p. 312 / **1161**



p. 312 / **1175**



p. 313 / **1176**



p. 313 / **1200**



p. 313 / **1205**



p. 313 / **1210**



p. 314 / **1215**



p. 314 / **1216**



p. 314 / **1220**



p. 314 / **1225**



p. 315 / **1230**



p. 315 / **1235**



p. 315 / **1240**



p. 315 / **1245**



p. 316 / **1300**



p. 316 / **1310**



p. 316 / **1320**



p. 316 / **1322**

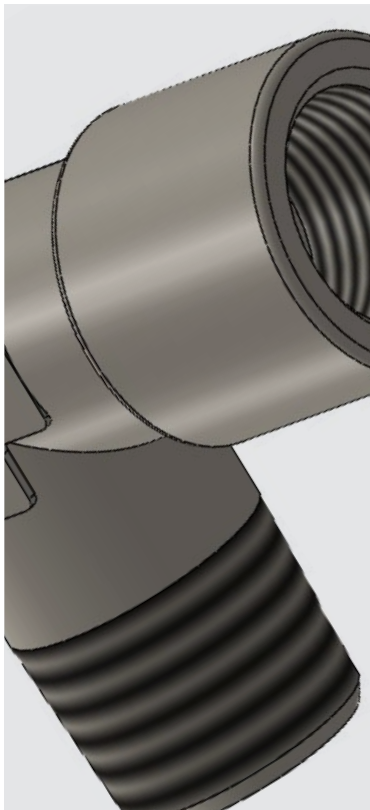


p. 317 / **1600**



p. 317 / **1110-3PCS**





Temperature depends on the tube used, so the value will be defined according to the features of the tube itself with NBR O-Ring: -20°C ÷ +100°C



Up to 60 Bar pressure depends on the tube used, so their values will be defined according to the features of the tube itself



Compressed air, water, oil and fluids suitable with construction materials



Taper gas BSPT ISO 7 from R1/8" to R1"  
 Parallel gas BSPP ISO 228 from G1/8" to G1"  
 Metric ISO 262 - M5



**Lathed:** Nickel plated brass  
 UNI EN 12164 CW 614N

**Printed:** Nickel plated brass  
 UNI EN 12164 CW 617N

**O'ring:** NBR



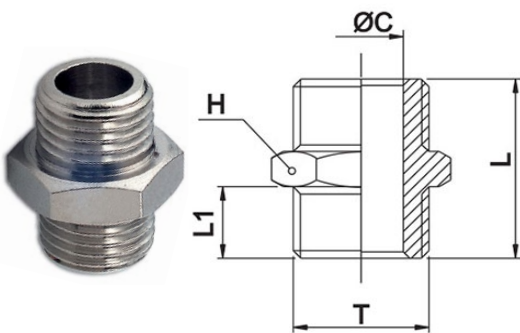
Products in compliance with the directive 2002/95/EC

**RoHS2**

Products in compliance with the directive 2011/65/EU

1105

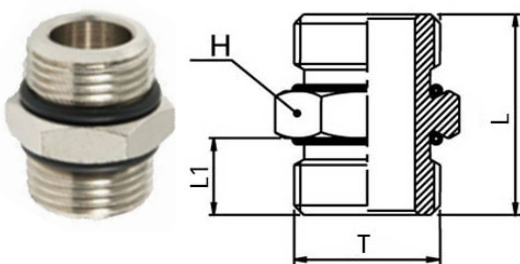
Nipple BSPP & metric thread



CODE	T	ØC	L	L1	H	GR.
1105TRM5	M5	2,5	11,0	4	8	2,0
1105TR18	G1/8"	6,0	18,5	7	14	9,0
1105TR14	G1/4"	8,5	21,0	8	17	15,0
1105TR38	G3/8"	11,5	23,0	9	19	21,0
1105TR12	G1/2"	15,0	25,0	10	24	34,0
1105TR34	G3/4"	20,0	27,5	11	30	53,0
1105TR1	G1"	26,0	32,0	13	36	84,0

1106

Nipple BSPP thread with OR

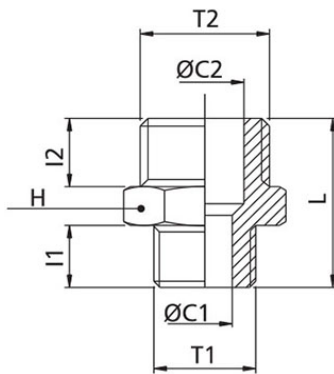


CODE	T	L	L1	H	GR.
1106TR18	G1/8"	14	6,5	17,5	8,0
1106TR14	G1/4"	17	8	21	16,0
1106TR38	G3/8"	20	9	23	24,0
1106TR12	G1/2"	24	10	26	38,0



1107

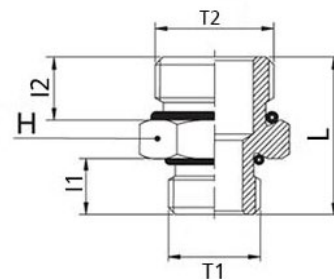
Reduced nipple BSPP & metric thread



CODE	T1	T2	ØC1	ØC2	I1	I2	L	H	GR.
1107TRM518	M5	G1/8"	2,5	6,0	5,0	6,5	15,5	14	7,0
1107TR1814	G1/8"	G1/4"	5,5	8,5	6,5	8,0	19,0	17	14,0
1107TR1838	G1/8"	G3/8"	5,5	11,5	6,5	9,0	20,5	19	19,0
1107TR1438	G1/4"	G3/8"	8,5	11,5	8,0	9,0	22,0	19	19,0
1107TR1412	G1/4"	G1/2"	8,0	15,0	9,0	10,0	24,5	24	35,0
1107TR3812	G3/8"	G1/2"	11,0	15,0	9,0	10,0	24,5	24	36,0
1107TR3834	G3/8"	G3/4"	11,0	20,0	10,0	11,0	26,5	30	52,0
1107TR1234	G1/2"	G3/4"	15,0	20,0	11,0	11,0	27,5	30	52,0
1107TR341	G3/4"	G1"	20,0	25,5	11,0	13,0	30,0	36	71,0

1108

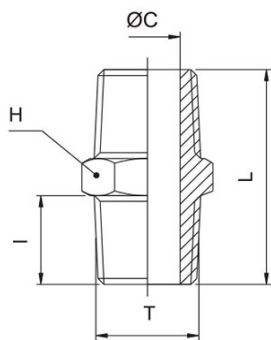
Reduced nipple BSPP thread with OR



CODE	T1	T2	L	I1	I2	H	GR.
1108TR1814	G1/8"	G1/4"	19,5	6,5	8	17	14,0
1108TR1838	G1/8"	G3/8"	21	6,5	9	20	22,0
1108TR1438	G1/4"	G3/8"	22	8	9	20	24,0
1108TR1412	G1/4"	G1/2"	24	8	10	24	34,0
1108TR3812	G3/8"	G1/2"	25	9	10	24	34,0

1110

Nipple BSPT thread

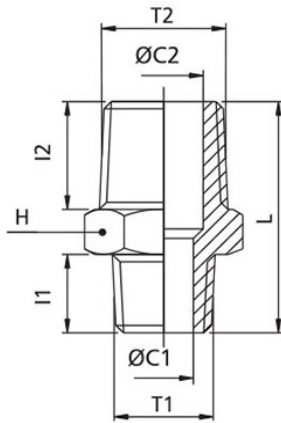


CODE	T	ØC	I	L	H	GR.
1110TR18	R1/8"	6,0	7,5	19,0	12	7,0
1110TR14	R1/4"	7,5	11,0	26,5	14	16,0
1110TR38	R3/8"	11,5	11,0	27,0	17	23,0
1110TR12	R1/2"	15,0	12,5	30,5	22	79,0
1110TR34	R3/4"	20,0	14,0	34,5	27	61,0
1110TR1	R1"	26,0	15,5	37,0	34	92,0



1112

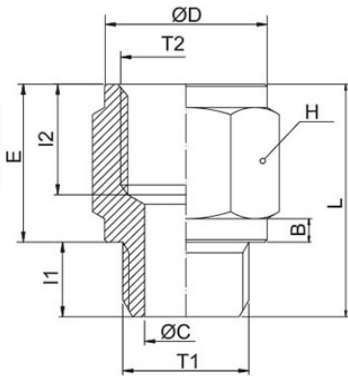
Reduced nipple BSPT thread



CODE	T1	T2	ØC1	ØC2	I1	I2	L	H	GR.
1112TR1814	R1/8"	R1/4"	5,5	8,5	7,5	11,0	23,0	14	12,0
1112TR1838	R1/8"	R3/8"	5,5	11,5	7,5	11,0	23,5	17	19,0
1112TR1438	R1/4"	R3/8"	8,5	11,5	10,5	11,0	26,5	17	21,0
1112TR1412	R1/4"	R1/2"	8,0	15,0	10,5	12,5	28,5	22	32,0
1112TR3812	R3/8"	R1/2"	11,0	15,0	10,5	12,5	28,5	22	35,0
1112TR1234	R1/2"	R3/4"	15,0	20,0	12,5	14,0	32,5	27	58,0
1112TR341	R3/4"	R1"	20,0	25,5	13,0	15,5	35,5	34	91,0

1115

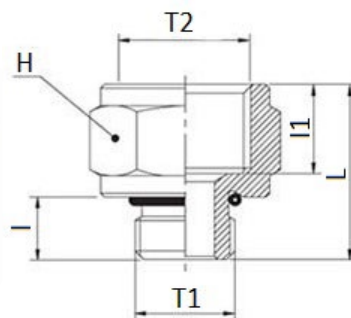
Enlarger M/F BSPP & metric thread enlarger



CODE	T1	T2	B	ØC	ØD	I1	I2	E	L	H	GR.
1115TRM5	M5	M5	1,5	2,5	7,5	4,5	5,0	6,5	11,0	8	3,0
1115TRM518	M5	G1/8"	2,0	2,2	13,5	5,0	7,0	11,0	16,0	14	10,0
1115TRM618	M6	G1/8"	2,0	2,7	13,5	6,0	7,0	11,0	17,0	14	10,0
1115TR18	G1/8"	G1/8"	2,0	5,5	13,5	6,5	8,0	11,0	17,5	14	11,0
1115TR1814	G1/8"	G1/4"	2,0	5,5	16,5	6,5	10,5	13,5	20,0	17	18,0
1115TR1838	G1/8"	G3/8"	2,5	5,5	21,5	6,5	10,5	14,0	20,5	22	33,0
1115TR14	G1/4"	G1/4"	2,0	8,5	16,5	8,0	10,5	13,5	21,5	17	19,0
1115TR1438	G1/4"	G3/8"	2,5	8,0	21,5	9,0	10,5	14,0	23,0	22	32,0
1115TR1412	G1/4"	G1/2"	3,0	8,0	26,5	9,0	12,5	17,0	26,0	27	51,0
1115TR38	G3/8"	G3/8"	2,5	11,0	21,5	9,0	10,5	14,0	23,0	22	32,0
1115TR3812	G3/8"	G1/2"	3,0	11,0	26,5	9,0	12,5	17,0	26,0	27	54,0
1115TR3834	G3/8"	G3/4"	3,0	11,0	31,5	9,0	12,5	17,0	26,0	32	66,0
1115TR12	G1/2"	G1/2"	3,0	15,0	26,5	10,5	12,5	16,0	26,5	27	56,0
1115TR1234	G1/2"	G3/4"	3,0	15,0	31,5	10,5	12,5	17,0	27,5	32	71,0
1115TR121	G1/2"	G1"	3,0	15,0	37,5	11,0	12,5	18,0	29,0	38	93,0
1115TR34	G3/4"	G3/4"	3,0	20,0	31,5	10,5	12,5	17,0	27,5	32	69,0
1115TR341	G3/4"	G1"	3,0	20,0	37,5	11,0	12,5	18,0	29,0	38	93,0
1115TR1	G1"	G1"	3,0	26,0	37,5	13,0	12,5	18,0	31,0	38	96,0

1116

Enlarger M/F BSPP thread with OR

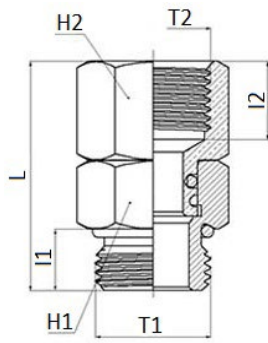


CODE	T1	T2	L	I	I1	H	GR.
1116TR18	G1/8"	G1/8"	17	6,5	8,5	17	12,3
1116TR1814	G1/8"	G1/4"	20	6,5	11	20	13,0
1116TR1838	G1/8"	G3/8"	21	6,5	11,5	21	31,0
1116TR14	G1/4"	G1/4"	21,5	8	11	21,5	18,0
1116TR1438	G1/4"	G3/8"	22,5	8	11,5	22,5	32,0
1116TR1412	G1/4"	G1/2"	26	9	14	26	36,0
1116TR38	G3/8"	G3/8"	23,5	9	11,5	23,5	32,0
1116TR3812	G3/8"	G1/2"	27	9	14	27	38,0



1118

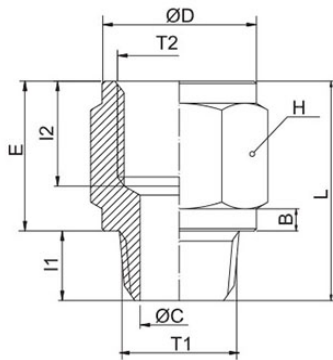
Swivel nipple BSPP thread with OR



CODE	T1	T2	I1	I2	L	H1	H2	GR.
1118TR18	G1/8"	G1/8"	6,5	8	27	13	13	2,0
1118TR14	G1/4"	G1/4"	8	11	32	16	16	32,0
1118TR38	G3/8"	G3/8"	9	11,5	33,5	19	19	44,0

1120

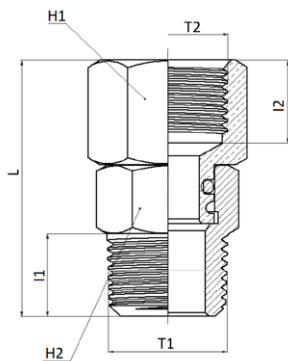
Enlarger M BSPT thread / F BSPP thread



CODE	T1	T2	B	ØC	ØD	I1	I2	E	L	H	GR.
1120TR18	R1/8"	G1/8"	2,0	5,5	13,5	7,5	8	11,0	18,5	14	12,0
1120TR1814	R1/8"	G1/4"	2,0	5,5	16,5	7,5	10,5	13,5	21,0	17	18,0
1120TR1838	R1/8"	G3/8"	2,5	5,5	21,5	7,5	10,5	14,0	21,5	22	31,0
1120TR14	R1/4"	G1/4"	2,0	8,5	16,5	10,5	10,5	13,5	24,0	17	18,0
1120TR1438	R1/4"	G3/8"	2,5	8,0	21,5	10,5	10,5	14,0	24,5	22	32,0
1120TR1412	R1/4"	G1/2"	3,0	8,0	26,5	10,5	12,5	17,0	27,5	27	52,0
1120TR38	R3/8"	G3/8"	2,5	11,0	21,5	10,5	10,5	14,0	24,5	22	37,0
1120TR3812	R3/8"	G1/2"	3,0	11,0	26,5	10,5	12,5	17,0	27,5	27	55,0
1120TR3834	R3/8"	G3/4"	3,0	11,0	31,5	11,0	12,5	17,0	28,0	32	74,0
1120TR12	R1/2"	G1/2"	3,0	15,0	26,5	12,5	12,5	16,0	28,5	27	54,0
1120TR1234	R1/2"	G3/4"	3,0	15,0	31,5	12,5	12,5	17,0	29,5	32	70,0
1120TR121	R1/2"	G1"	3,0	15,0	37,5	13,0	12,5	18,0	31,0	38	91,0
1120TR34	R3/4"	G3/4"	3,0	20,0	31,5	13,0	12,5	17,0	30,0	32	74,0
1120TR341	R3/4"	G1"	3,0	20,0	37,5	13,0	12,5	18,0	31,0	38	97,0
1120TR1	R1"	G1"	3,0	26,0	37,5	15,5	12,5	18,0	33,5	38	100,0

1122

Swivel nipple BSPT thread



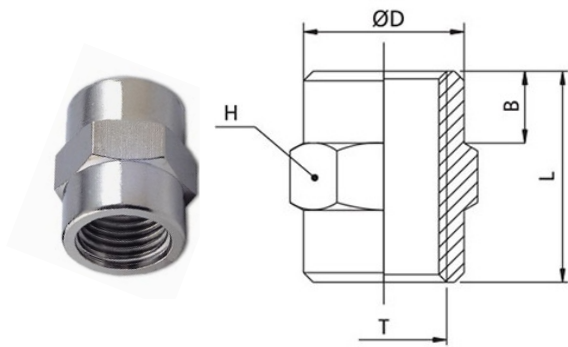
CODE	T1	T2	I1	I2	L	H1	H2	GR.
1122TR18	R1/8"	R1/8"	8	8	28	12	13	2,0
1122TR14	R1/4"	R1/4"	11	11	34	14	16	3,0
1122TR38	R3/8"	R3/8"	11,5	11,5	35,5	17	19	42,0





1125

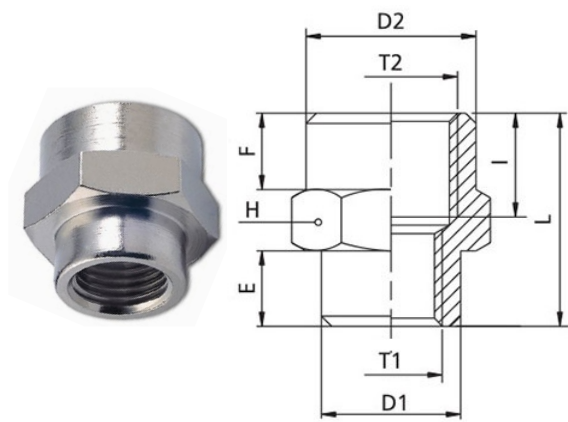
Sleeve F/F BSPP & metric thread



CODE	T	ØD	B	L	H	GR.
1125TRM5	M5	7,5	3,5	11,0	8	3,0
1125TR18	G1/8"	13,5	5,0	15,0	14	10,0
1125TR14	G1/4"	16,5	8,0	22,0	17	18,0
1125TR38	G3/8"	21,5	8,5	24,0	22	37,0
1125TR12	G1/2"	26,5	10,0	29,0	27	62,0
1125TR34	G3/4"	31,5	10,0	29,0	32	70,0
1125TR1	G1"	37,5	11,0	31,0	38	89,0

1126

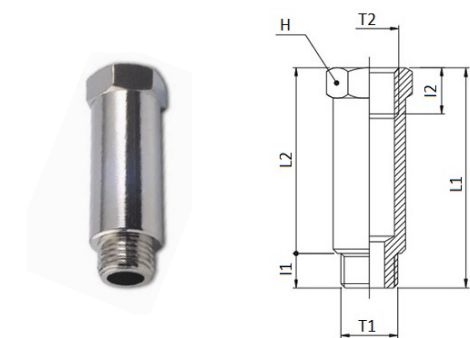
Sleeve sleeve F/F BSPP & metri thread



CODE	T1	T2	ØD1	ØD2	I	E	F	L	H	GR.
1126TRM518	M5	G1/8"	8,0	13,5	7,0	3,5	4,5	12,5	14	9,0
1126TR1814	G1/8"	G1/4"	13,0	16,5	11,0	6,0	8,0	20,0	17	18,0
1126TR1838	G1/8"	G3/8"	14,0	21,5	11,0	6,0	8,0	20,0	22	28,0
1126TR1438	G1/4"	G3/8"	17,0	21,5	11,0	7,0	8,0	21,0	22	30,0
1126TR1412	G1/4"	G1/2"	17,0	26,5	13,0	8,0	9,0	24,0	27	46,0
1126TR3812	G3/8"	G1/2"	21,5	26,5	13,0	8,0	9,0	24,0	27	48,0
1126TR3834	G3/8"	G3/4"	21,0	31,5	13,5	8,0	10,0	25,0	32	64,0
1126TR1234	G1/2"	G3/4"	26,0	31,5	13,5	8,0	10,0	25,0	32	65,0
1126TR121	G1/2"	G1"	26,0	37,0	14,0	8,0	10,0	25,0	38	84,0
1126TR341	G3/4"	G1"	32,0	37,0	14,0	8,0	10,0	25,0	38	83,0

1130

Extension M/F BSPP thread

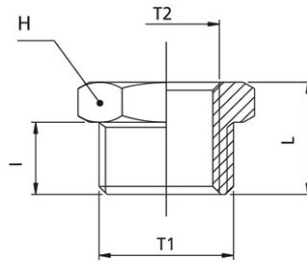


CODE	T1	T2	I1	I2	L1	L2	H	GR.
1130TR181422	G1/8"	G1/8"	6	8,0	22	16	14	14,0
1130TR181442	G1/8"	G1/8"	6	8,0	42	36	14	30,0
1130TR181451	G1/8"	G1/8"	6	8,0	51	45	14	36,0
1130TR141735	G1/4"	G1/4"	8	11,0	35	27	17	32,0
1130TR141751	G1/4"	G1/4"	8	11,0	51	43	17	46,0



1135

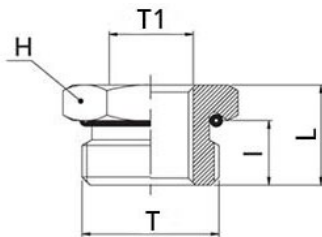
Reducer M/F BSPP & metric thread



CODE	T1	T2	I	L	H	GR.
1135TRM518	G1/8"	M5	6,5	10,5	14	7,0
1135TR1418	G1/4"	G1/8"	8,0	12,5	17	10,0
1135TR3818	G3/8"	G1/8"	9,0	14,0	19	18,0
1135TR3814	G3/8"	G1/4"	9,0	14,0	19	13,0
1135TR1218	G1/2"	G1/8"	10,0	15,0	24	39,0
1135TR1214	G1/2"	G1/4"	10,0	15,0	24	32,0
1135TR1238	G1/2"	G3/8"	10,0	15,0	24	21,0
1135TR3414	G3/4"	G1/4"	11,0	16,5	30	64,0
1135TR3438	G3/4"	G3/8"	11,0	16,5	30	52,0
1135TR3412	G3/4"	G1/2"	11,0	16,5	30	36,0
1135TR138	G1"	G3/8"	13,5	19,5	36	110,0
1135TR112	G1"	G1/2"	13,0	19,0	36	90,0
1135TR134	G1"	G3/4"	13,0	19,0	36	59,0

1136

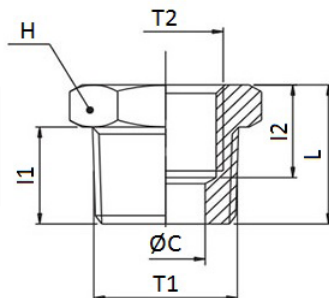
Reducer M/F BSPP thread with OR



CODE	T	T1	I	L	H	GR.
1136TRM518	M5	G1/8"	6,5	11	14	8,0
1136TR1418	G1/4"	G1/8"	8	13	17	1,0
1136TR3818	G3/8"	G1/8"	9	14	20	2,0
1136TR3814	G3/8"	G1/4"	9	14	20	14,0
1136TR1218	G1/2"	G1/8"	10	15,5	24	38,0
1136TR1214	G1/2"	G1/4"	10	15,5	24	29,0
1136TR1238	G1/2"	G3/8"	10	15,5	24	2,0

1140

Reduced M BSPT thread / F BSPP thread

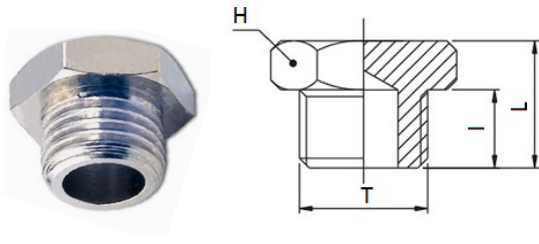


CODE	T1	T2	ØC	I1	I2	L	H	GR.
1140TR1418	R1/4"	G1/8"	6,0	11,0	9,0	15,5	14	9,0
1140TR3818	R3/8"	G1/8"	6,5	11,0	9,0	15,5	17	21,0
1140TR3814	R3/8"	G1/4"	8,5	11,0	11,0	15,5	17	13,0
1140TR1218	R1/2"	G1/8"	6,0	12,5	10,0	18,0	22	42,0
1140TR1214	R1/2"	G1/4"	8,5	12,5	11,5	18,0	22	34,0
1140TR1238	R1/2"	G3/8"	11,5	12,5	11,5	18,0	22	25,0
1140TR3414	R3/4"	G1/4"	8,5	14,0	12,0	20,0	27	74,0
1140TR3438	R3/4"	G3/8"	11,5	14,0	12,0	20,0	27	62,0
1140TR3412	R3/4"	G1/2"	15,0	14,0	14,0	20,0	27	43,0
1140TR138	R1"	G3/8"	15,0	15,5	13,0	21,5	34	123,0
1140TR112	R1"	G1/2"	15,0	15,5	14,0	21,5	34	104,0
1140TR134	R1"	G3/4"	20,0	15,5	14,0	21,5	34	73,0



1145

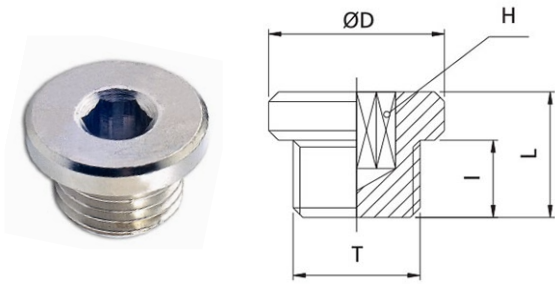
Plug M BSPP & metric thread



CODE	T	I	L	H	GR.
1145TRM5	M5	4,5	7,5	8	4,0
1145TR18	G1/8"	6,0	10,0	14	7,0
1145TR14	G1/4"	8,0	12,5	17	12,0
1145TR38	G3/8"	9,0	13,5	19	19,0
1145TR12	G1/2"	10,0	15,0	24	28,0
1145TR34	G3/4"	11,0	16,5	30	46,0
1145TR1	G1"	12,5	18,5	36	79,0

1148

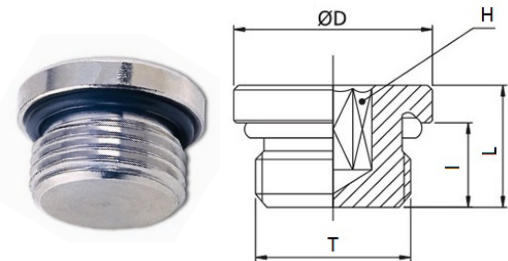
Plug M BSPP & metric thread with exagon embedded



CODE	T	I	L	ØD	H	GR.
1148TRM5	M5	4,0	6,5	8,0	2,5	2,0
1148TR18	G1/8"	6,0	10,0	15,0	5	8,0
1148TR14	G1/4"	8,0	12,0	18,0	6	12,0
1148TR38	G3/8"	9,0	13,0	21,0	8	22,0
1148TR12	G1/2"	10,0	14,5	25,0	10	36,0

1149

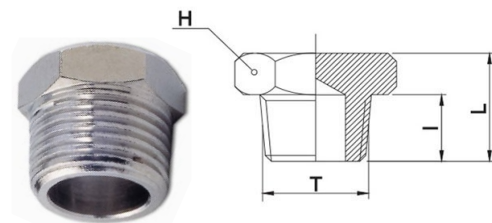
Plug M BSPP & metric thread with exagon embedded and OR



CODE	T	I	L	ØD	H	GR.
1149TRM5	M5	4,5	7,2	8,0	2,5	1,4
1149TR18	G1/8"	6,5	9,5	14,0	5	6,0
1149TR14	G1/4"	8,0	11,5	17,0	6	12,0
1149TR38	G3/8"	9,0	12,5	20,0	8	18,0
1149TR12	G1/2"	10,0	14,0	26,0	10	32,0

1150

Plug M BSPT thread

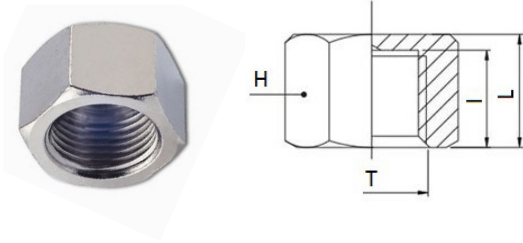


CODE	T	I	L	H	GR.
1150TR18	R1/8"	7,5	11,5	10	4,0
1150TR14	R1/4"	11,0	15,5	14	9,0
1150TR38	R3/8"	11,0	16,0	17	17,0
1150TR12	R1/2"	12,0	17,5	22	29,0
1150TR34	R3/4"	13,5	19,5	27	60,0
1150TR1	R1"	15,5	22,0	34	92,0



1155

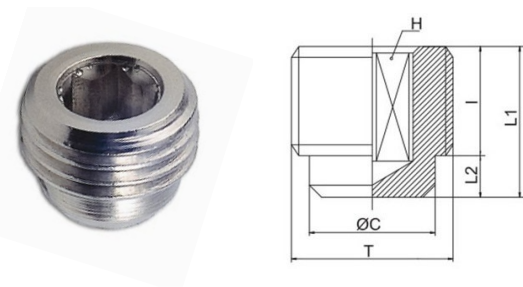
Plug F BSPP & metric thread



CODE	T	I	L	H	GR.
1155TRM5	M5	5,5	7,0	8	2,0
1155TR18	G1/8"	9,0	11,0	14	5,0
1155TR14	G1/4"	11,0	13,0	17	17,0
1155TR38	G3/8"	11,0	13,5	21	23,0
1155TR12	G1/2"	11,0	13,5	24	44,0
1155TR34	G3/4"	12,5	15,0	30	44,0
1155TR1	G1"	12,5	15,0	38	56,0

1160

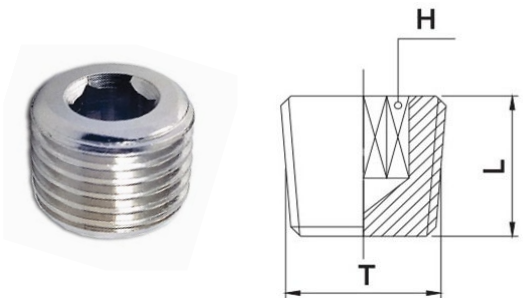
Plug M BSPP thread with exagon embedded



CODE	T	I	ØC	L1	L2	H	GR.
1160TR18	G1/8"	4,0	8,0	7,0	3,0	5	2,0
1160TR14	G1/4"	6,0	10,5	10,0	4,0	6	6,0
1160TR38	G3/8"	6,0	13,5	10,0	4,0	8	10,0
1160TR12	G1/2"	6,5	17,5	11,0	4,0	10	13,0

1161

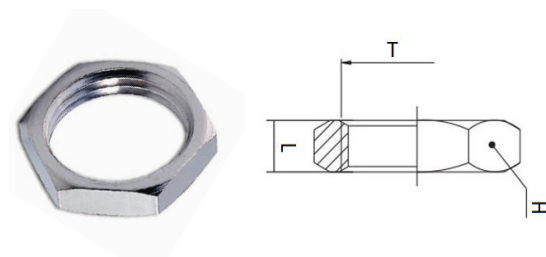
Flat plug M BSPT thread exagon embedded



CODE	T	L	H	GR.
1161TR18	R1/8"	8,0	5	3,0
1161TR14	R1/4"	10,0	6	7,0
1161TR38	R3/8"	10,5	8	23,0
1161TR12	R1/2"	13,0	10	24,0
1161TR34	R3/4"	15,5	14	32,0
1161TR1	R1"	17,5	17	45,0

1175

Nut BSPP & metric thread

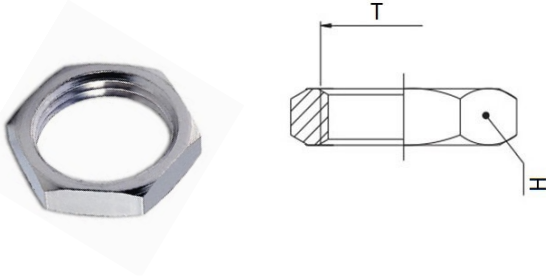


CODE	T	L	H	GR.
1175TRM5	M5	2,5	9	1,0
1175TR18	G1/8"	3,5	12	3,0
1175TR14	G1/4"	4,0	16	2,0
1175TR38	G3/8"	4,5	19	3,0
1175TR12	G1/2"	4,5	24	6,0
1175TR34	G3/4"	5,0	30	10,0
1175TR1	G1"	6,0	38	20,0



1176

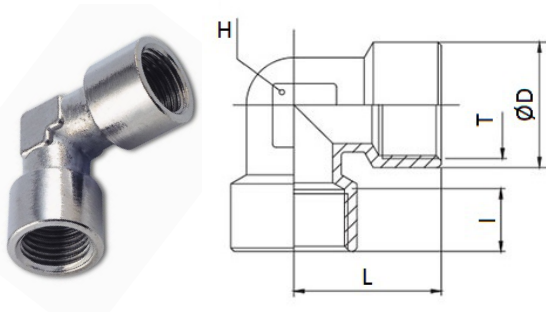
Bulkhead locking nut metric thread



CODE	T	H	GR.
1176TRM101	M10X1	14	3,0
1176TRM121	M12X1	16	3,8
1176TRM1615	M16X1,5	19	5,0
1176TRM1815	M18X1,5	22	7,0
1176TRM2015	M20X1,5	24	18,0
1176TRM2215	M22X1,5	25	17,0
1176TRM2615	M26X1,5	32	21,0
1176TRM2815	M28X1,5	36	23,0

1200

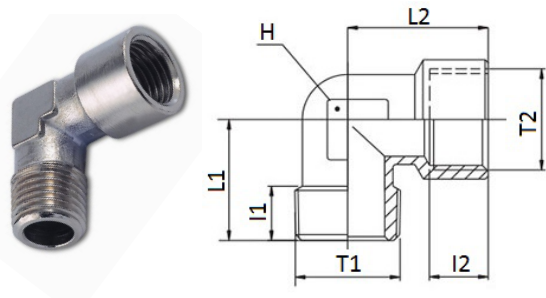
Elbow F/F BSPP & metric thread



CODE	T	I	D	L	H	GR.
1200TRM5	M5	5,5	9,0	11,0	8	6,0
1200TR18	G1/8"	8,0	13,5	20,5	10	19,0
1200TR14	G1/4"	11,5	16,5	31,0	13	33,0
1200TR38	G3/8"	12,0	21,0	36,0	17	57,0
1200TR12	G1/2"	15,0	26,0	44,0	21	109,0
1200TR34	G3/4"	16,5	32,0	36,5	25	144,0
1200TR1	G1"	19,0	39,0	45,0	30	244,0

1205

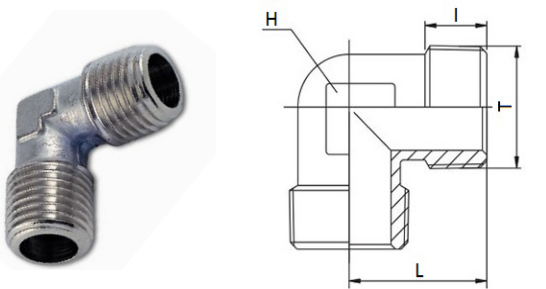
Elbow male BSPT / Female BSPP & metric thread



CODE	T1	T2	I1	I2	L1	L2	H	GR.
1205TRM5	M5	M5	5,0	5,5	11,5	11	8	7,0
1205TR18	R1/8"	G1/8"	9,5	8,0	17,5	19,5	10	16,0
1205TR14	R1/4"	G1/4"	11,5	11,5	24,0	25	13	31,0
1205TR38	R3/8"	G3/8"	13,0	12,0	27,5	27,5	17	46,0
1205TR12	R1/2"	G1/2"	15,0	15,0	30,0	33,5	21	92,0
1205TR34	R3/4"	G3/4"	16,0	16,5	33,0	36,5	25	120,0
1205TR1	R1"	G1"	17,0	19,0	39,0	45,0	30	212,0

1210

Elbow M/M BSPT & metric thread

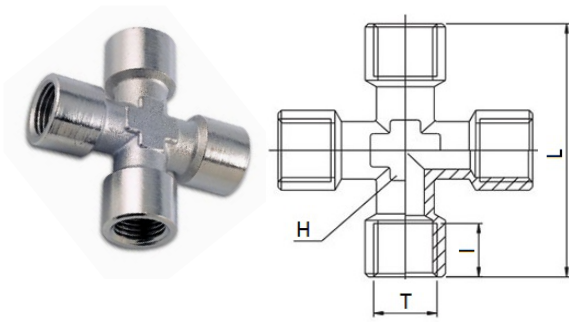


CODE	T	I	L	H	GR.
1210TRM5	M5	5,0	13,5	8	6,0
1210TR18	R1/8"	9,0	18,5	10	13,0
1210TR14	R1/4"	11,5	22,0	12	20,0
1210TR38	R3/8"	13,0	26,0	13	31,0
1210TR12	R1/2"	14,0	28,5	17	55,0
1210TR34	R3/4"	16,0	33,0	25	100,0
1210TR1	R1"	17,0	39,0	30	174,0



1215

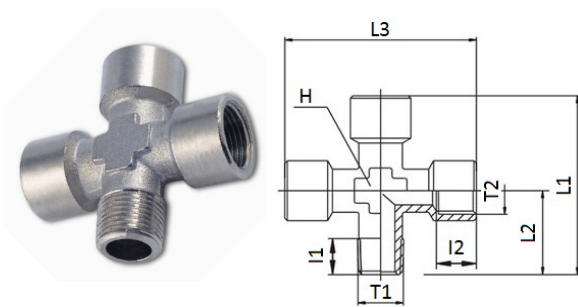
Tee F/F/F/F equal cross BSPT thread



CODE	T	I	L	H	GR.
1215TR18	G1/8"	8,0	42,0	10	38,0
1215TR14	G1/4"	11,0	51,0	13	76,0
1215TR38	G3/8"	11,5	56,0	17	108,0
1215TR12	G1/2"	14,0	67,0	21	186,0

1216

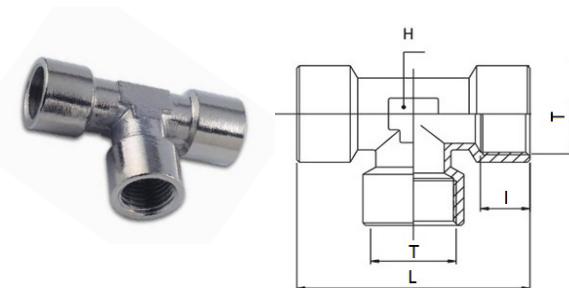
Tee M/F/F/F equal cross BSPT thread



CODE	T1	T2	I1	I2	L1	L2	L3	H	GR.
1216TR18	R1/8"	G1/8"	8,0	8,0	39,5	18,5	42	10	34,0
1216TR14	R1/4"	G1/4"	11,0	11,0	49,0	23,5	51	13	68,0
1216TR38	R3/8"	G3/8"	11,5	11,5	54,0	26,0	56	17	100,0
1216TR12	R1/2"	G1/2"	14,0	14,0	64,5	31,0	67	21	168,0

1220

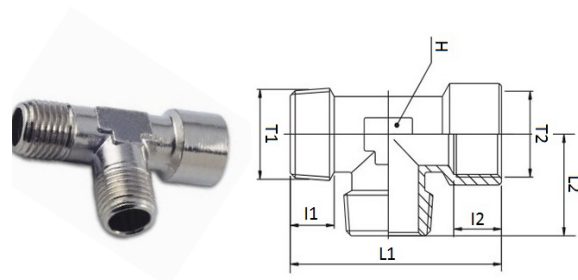
Tee F/F/F BSPP & metric thread



CODE	T	I	L	H	GR.
1220TRM5	M5	5,5	26,5	8	7,0
1220TR18	G1/8"	8,0	40,0	10	28,0
1220TR14	G1/4"	11,5	50,0	13	49,0
1220TR38	G3/8"	12,0	57,0	17	85,0
1220TR12	G1/2"	15,0	68,5	21	146,0
1220TR34	G3/4"	16,5	73,0	25	194,0
1220TR1	G1"	19,0	90,0	30	326,0

1225

Tee M/M/F BSPT & metric thread

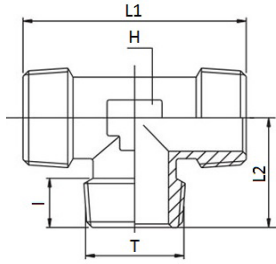


CODE	T1	T2	I1	I2	L1	L2	H	GR.
1225TRM5	M5	M5	5,0	5,5	26,0	13,0	8	8,0
1225TR18	R1/8"	G1/8"	9,5	8,0	38,5	18,5	10	25,0
1225TR14	R1/4"	G1/4"	11,5	11,5	47,5	23,5	13	43,0
1225TR38	R3/8"	G3/8"	13,0	12,0	56,0	26,0	17	72,0
1225TR12	R1/2"	G1/2"	15,0	15,0	67,5	32,0	21	102,0
1225TR34	R3/4"	G3/4"	16,0	16,5	69,5	33,0	25	156,0
1225TR1	R1"	G1"	17,5	19,0	84,0	39,0	30	268,0



1230

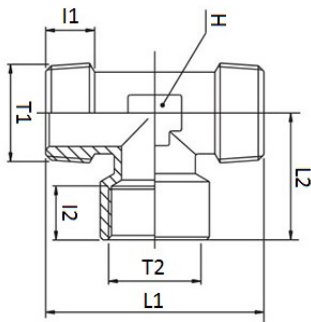
Tee M/M/M BSPT & metric thread



CODE	T	I	L1	L2	H	GR.
1230TRM5	M5	5,0	27,5	13,5	8	8,0
1230TR18	R1/8"	9,5	36,0	17,0	10	20,0
1230TR14	R1/4"	11,5	48,0	24,0	12	38,0
1230TR38	R3/8"	12,0	48,0	24,0	13	47,0
1230TR12	R1/2"	15,0	57,0	28,0	17	80,0
1230TR34	R3/4"	16,2	66,4	33,0	25	134,0
1230TR1	R1"	17,5	78,0	39,0	30	236,0

1235

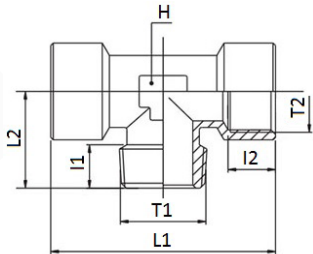
Tee M/F/M BSPT & metric thread



CODE	T1	T2	I1	I2	L1	L2	H	GR.
1235TRM5	M5	M5	5,0	5,5	27,5	13,0	8	6,0
1235TR18	R1/8"	G1/8"	9,5	8,0	36,5	19,5	10	22,0
1235TR14	R1/4"	G1/4"	11,5	11,5	48,0	25,5	13	37,0
1235TR38	R3/8"	G3/8"	13,0	12,0	51,5	28,0	17	62,0
1235TR12	R1/2"	G1/2"	15,0	15,0	63,0	34,0	21	118,0
1235TR34	R3/4"	G3/4"	16,0	16,5	66,4	36,5	25	156,0
1235TR1	R1"	G1"	17,5	19,0	78,0	45,0	30	268,0

1240

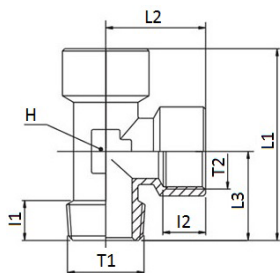
Tee F/M/F BSPT & metric thread



CODE	T1	T2	I1	I2	L1	L2	H	GR.
1240TRM5	M5	M5	5,0	5,5	26,5	11,5	8	9,0
1240TR18	R1/8"	G1/8"	9,5	8,0	40,0	18,5	10	22,0
1240TR14	R1/4"	G1/4"	11,5	11,5	50,0	24,5	13	49,0
1240TR38	R3/8"	G3/8"	13,0	12,0	57,0	26,5	17	75,0
1240TR12	R1/2"	G1/2"	15,0	15,0	68,5	32,0	21	127,0
1240TR34	R3/4"	G3/4"	16,0	16,5	73,0	33,0	25	178,0
1240TR1	R1"	G1"	17,5	19,0	90,0	39,0	30	296,0

1245

Tee M/F/F BSPT & metric thread

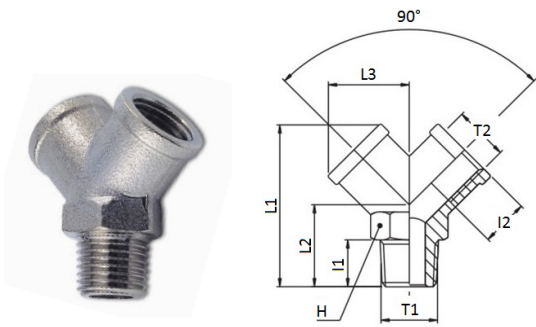


CODE	T1	T2	I1	I2	L1	L2	L3	H	GR.
1245TRM5	M5	M5	5,0	5,5	26,0	13,0	12,0	8	9,0
1245TR18	R1/8"	G1/8"	9,5	8,0	38,5	19,5	18,5	10	24,0
1245TR14	R1/4"	G1/4"	11,5	11,5	49,0	25,0	24,0	13	44,0
1245TR38	R3/8"	G3/8"	13,0	12,0	54,0	28,5	25,5	17	74,0
1245TR12	R1/2"	G1/2"	15,0	15,0	65,5	34,5	31,0	21	132,0
1245TR34	R3/4"	G3/4"	16,0	16,5	69,5	36,5	33,0	25	172,0
1245TR1	R1"	G1"	17,5	19,0	84,0	45,0	39,0	30	298,0



1300

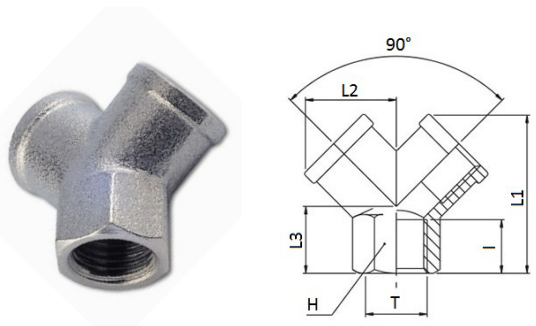
Y F/M/F BSPT thread



CODE	T1	T2	I1	I2	L1	L2	L3	H	GR.
1300TR18	R1/8"	G1/8"	8,0	8,0	32,0	16	14,5	13	22,0
1300TR14	R1/4"	G1/4"	11,0	11,0	38,0	20	18,0	17	38,0
1300TR38	R3/8"	G3/8"	11,5	11,5	42,5	22	20,5	20	52,0
1300TR12	R1/2"	G1/2"	14,0	14,0	53,0	27	26,5	25	110,0

1310

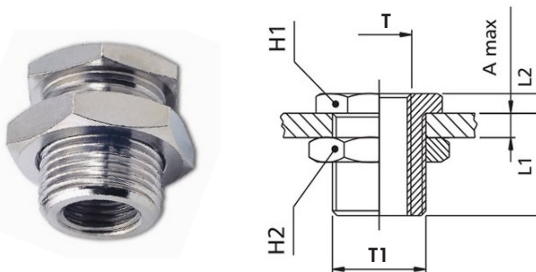
Y F/F/F BSPT thread



CODE	T	I	L1	L2	L3	H	GR.
1310TR18	G1/8"	8,0	26,5	14,5	12	13	18,0
1310TR14	G1/4"	11,0	32,0	18,0	14	17	32,0
1310TR38	G3/8"	11,5	37,0	20,5	16	20	44,0
1310TR12	G1/2"	14,0	45,0	26,5	19	25	92,0

1320

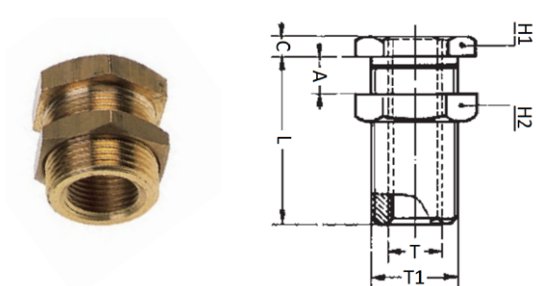
F/F bulkhead connector BSPP & metric thread



CODE	T	T1	A MAX	L1	L2	H1	H2	GR.
1320TRM5M101	M5	M10X1	7	10,5	3,5	14	14	12,0
1320TR18M1615	G1/8"	M16X1,5	10	14,0	4,0	19	22	30,0
1320TR14M2015	G1/4"	M20X1,5	16	21,0	4,0	24	27	58,0
1320TR38M2615	G3/8"	M26X1,5	15	21,0	5,0	30	32	94,0
1320TR12M2815	G1/2"	M28X1,5	21	27,0	6,0	32	36	116,0

1322

Bulkhead connector F/F in yellow brass BSPP thread



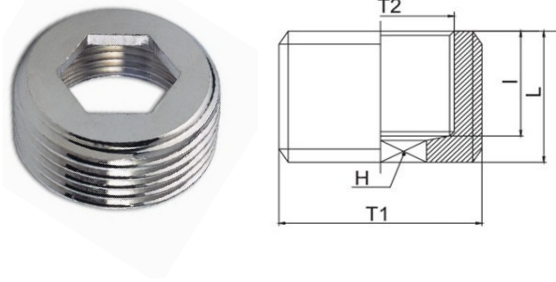
CODE	T	T1	C	L	A	H1	H2
1322TR18M1615	G1/8	M16X1,5	4	14	9	19	19
1322TR14M2015	G1/4	M20X1,5	4	21	15	24	24
1322TR38M2615	G3/8	M26X1,5	5	21	14	30	30
1322TR12M282	G1/2	M28X2	6	27	20	32	32
1322TR34M342	G3/4	M34X2	6	30	22,5	41	41
1322TR114M492	G1-1/4	M49X2	8	39	29,5	55	55





1600

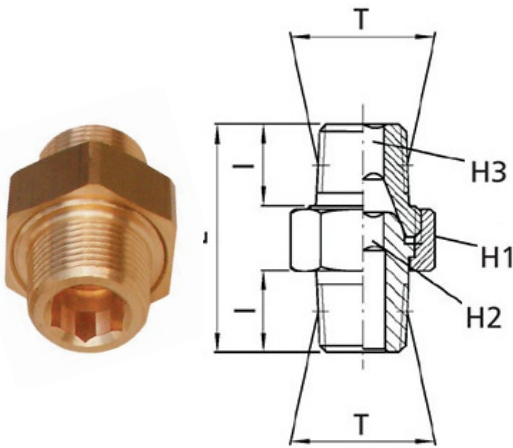
Reducer M/F BSPP & metric thread with exagon embedded



CODE	T1	T2	I	L	H	GR.
1600TRM518	G1/8"	M5	6,5	8,0	3	3,0
1600TR1418	G1/4"	G1/8"	7,0	9,0	6	7,0
1600TR3818	G3/8"	G1/8"	7,0	9,0	6	10,0
1600TR3814	G3/8"	G1/4"	7,0	9,0	8	6,0
1600TR1214	G1/2"	G1/4"	8,5	10,5	10	23,0
1600TR1238	G1/2"	G3/8"	8,5	10,5	10	10,0
1600TR3412	G3/4"	G1/2"	11,0	13,0	12	35,0
1600TR134	G1"	G3/4"	12,5	15,0	17	38,0

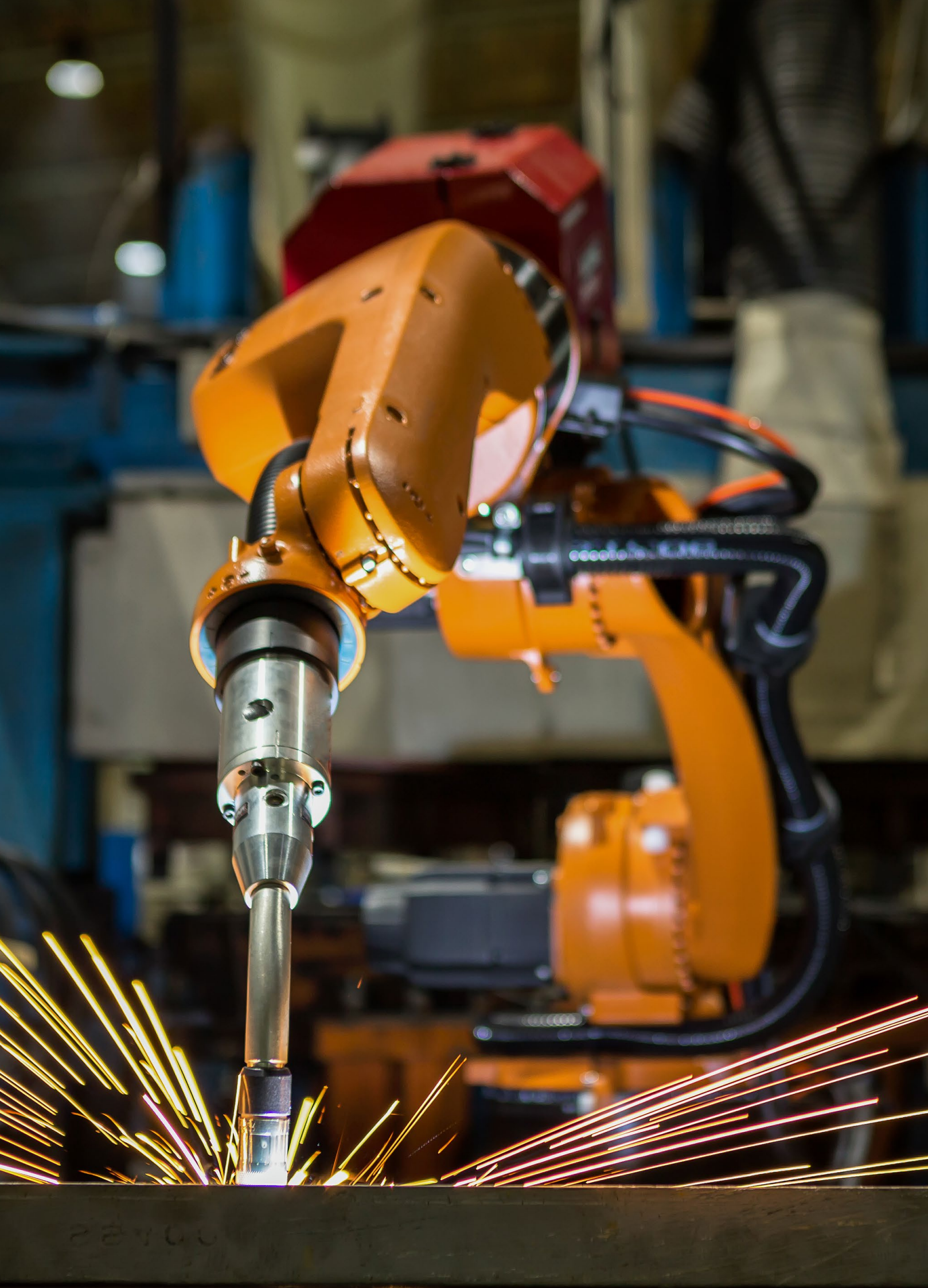
1110-3PCS

Nipple three pieces M/M BSPT thread in yellow brass



CODE	T	I	L	H1	H2	H3	GR.
1110TR18-3P	R1/8"	9,0	27,0	15	5	5	59,0
1110TR14-3P	R1/4"	12,0	33,5	19	6	6	65,0
1110TR38-3P	R3/8"	13,0	36,5	22	8	8	71,0
1110TR12-3P	R1/2"	16,0	44,0	27	12	12	86,0
1110TR34-3P	R3/4"	18,0	53,0	36	14	14	103,0
1110TR1-3P	R1"	22,0	64,0	46	19	19	124,0





# **STANDARD FITTINGS**

BAYONET  
JOINT AND  
ACCESSORIES

**PLUS**

**COMPLETE RANGE**

---

**MECHANICAL RESISTANCE**

---

**STANDARD AND BAYONET  
CONNECTION**





p. 321 / **1255**



p. 321 / **1260**



p. 321 / **1265**



p. 322 / **1270**



p. 322 / **1290**



p. 322 / **1256**



p. 322 / **1280**



p. 322 / **1285**



p. 323 / **1288**



p. 323 / **1291**



p. 323 / **1275**



p. 324 / **1163**



p. 325 / **1164**



p. 325 / **1292**

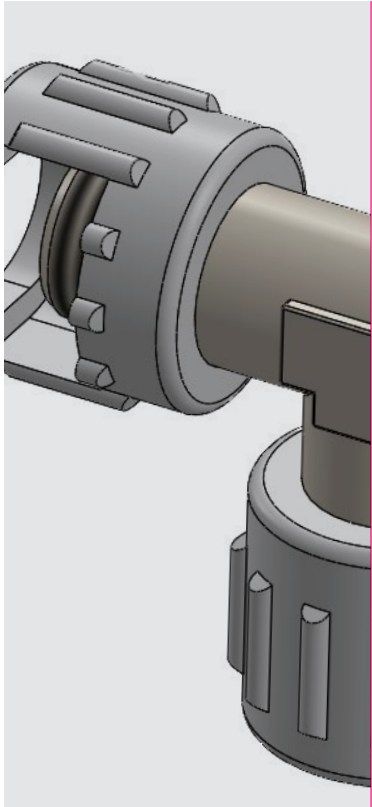


p. 326 / **1293**



p. 326 / **1278**





Temperature depends on the tube used, so the value will be defined according to the features of the tube itself



Pressure depends on the tube used, so their values will be defined according to the features of the tube itself



Compressed air



Parallel gas BSPP ISO 228 from G1/8" to G1/2"



Products in compliance with the directive 2002/95/EC

**RoHS2**

Products in compliance with the directive 2011/65/EU

**1255**

Milled nut



CODE	T	GR.
1255TR14	1/4"	14
1255TR14125	1/4"/125	14
1255TR38	3/8"	11

**1260**

Union tee with milled nuts



CODE	T	GR.
1260TR14	G1/4"	82

**1265**

Male connector BSPP thread with milled nut



CODE	T	GR.
1265TR14	G1/4"	71
1265TR38	G3/8"	73
1265TR12	G1/2"	82



**1270**

Union connector with millde nuts



CODE	T	GR.
1270TR14	G1/4"	81

**1290**

Female connector with milled nut



CODE	T	GR.
1290TR18	G1/8"	28
1290TR14	G1/4"	29
1290TR38	G3/8"	40

**1256**

Bayoned joints gasket



CODE	GR.
1256	10

**1280**

Male bayoned joint BSPP thread



CODE	T	GR.
1280TR18	G1/8"	16
1280TR14	G1/4"	16
1280TR38	G3/8"	18

**1285**

Female bayoned joint BSPP thread



CODE	T	GR.
1285TR18	G1/8"	17
1285TR14	G1/4"	19
1285TR38	G3/8"	18



## 1288

Bayoned joint with barb connector



CODE	ØTUBE	GR.
1288TR6	6	10
1288TR7	7	12
1288TR8	8	13
1288TR9	9	15
1288TR10	10	14
1288TR11	11	16
1288TR12	12	19
1288TR14	14	18

## 1291

Large bayoned joint with rubber hose connector



CODE	ØTUBE	GR.
1291BG1019	10X19	112
1291BG1020	10X20	112
1291BG1021	10X21	112
1291BG1022	10X22	117
1291BG1023	10X23	119
1291BG1319	13X19	117
1291BG1320	13X20	118
1291BG1323	13X23	127
1291BG1324	13X24	150
1291BG1325	13X25	150

## 1275

Bayoned joint with rubber hose connector



CODE	ØTUBE	GR.
1275TR610	6X10	38
1275TR612	6X12	35
1275TR613	6X13	38
1275TR614	6X14	36
1275TR716	7X16	43
1275TR812	8X12	33
1275TR813	8X13	40
1275TR815	8X15	42
1275TR817	8X17	31
1275TR1015	10X15	45
1275TR1017	10X17	49
1275TR1019	10X19	60



**1163**

Male connector BSPP thread with rubber hose connector

CODE	ØTUBE	T	GR.
1163TR61014	6X10	G1/4"	33
1163TR61214	6X12	G1/4"	30
1163TR61314	6X13	G1/4"	34
1163TR61414	6X14	G1/4"	34
1163TR71614	7X16	G1/4"	38
1163TR81214	8X12	G1/4"	35
1163TR81314	8X13	G1/4"	36
1163TR81514	8X15	G1/4"	39
1163TR81714	8X17	G1/4"	41
1163TR101514	10X15	G1/4"	45
1163TR101714	10X17	G1/4"	48
1163TR101914	10X19	G1/4"	48
1163TR61038	6X10	G3/8"	39
1163TR61238	6X12	G3/8"	36
1163TR61338	6X13	G3/8"	40
1163TR61438	6X14	G3/8"	40
1163TR71638	7X16	G3/8"	44
1163TR81238	8X12	G3/8"	41
1163TR81338	8X13	G3/8"	42
1163TR81538	8X15	G3/8"	45
1163TR81738	8X17	G3/8"	47
1163TR101538	10X15	G3/8"	51
1163TR101738	10X17	G3/8"	54
1163TR101938	10X19	G3/8"	54
1163TR111638	11X16	G3/8"	57





## 1164



Female connector BSPP thread with rubber hose connector

CODE	ØTUBE	T	GR.
1164TR61014	6X10	G1/4"	30
1164TR61214	6X12	G1/4"	30
1164TR61314	6X13	G1/4"	37
1164TR61414	6X14	G1/4"	35
1164TR71614	7X16	G1/4"	40
1164TR81214	8X12	G1/4"	32
1164TR81314	8X13	G1/4"	32
1164TR81514	8X15	G1/4"	35
1164TR81714	8X17	G1/4"	34
1164TR101514	10X15	G1/4"	38
1164TR101714	10X17	G1/4"	37
1164TR101914	10X19	G1/4"	39
1164TR61038	6X10	G3/8"	36
1164TR61238	6X12	G3/8"	36
1164TR61338	6X13	G3/8"	43
1164TR61438	6X14	G3/8"	41
1164TR71638	7X16	G3/8"	46
1164TR81238	8X12	G3/8"	38
1164TR81338	8X13	G3/8"	38
1164TR81538	8X15	G3/8"	41
1164TR81738	8X17	G3/8"	40
1164TR101538	10X15	G3/8"	44
1164TR101738	10X17	G3/8"	43
1164TR101938	10X19	G3/8"	45

## 1292



Large male connector BSPP thread with rubber hose connector

CODE	ØTUBE	T	CH	L	GR.
1292TR101938	10X19	G3/8"	24	65	113,0
1292TR102038	10X20	G3/8"	24	65	114,0
1292TR102138	10X21	G3/8"	24	65	114,0
1292TR102238	10X22	G3/8"	24	65	118,0
1292TR102338	10X23	G3/8"	27	65	120,0
1292TR131938	13X19	G3/8"	25	65	115,0
1292TR132038	13X20	G3/8"	25	65	117,0
1292TR132138	13X21	G3/8"	25	65	117,0
1292TR132338	13X23	G3/8"	27	65	124,0
1292TR132438	13X24	G3/8"	30	65	151,0
1292TR132538	13X25	G3/8"	30	65	149,0
1292TR101912	10X19	G1/2"	24	65	113,0
1292TR102012	10X20	G1/2"	24	65	115,0
1292TR102112	10X21	G1/2"	24	65	115,0
1292TR102212	10X22	G1/2"	24	65	119,0
1292TR102312	10X23	G1/2"	27	65	121,0
1292TR131912	13X19	G1/2"	25	65	117,0
1292TR132012	13X20	G1/2"	25	65	118,0
1292TR132112	13X21	G1/2"	25	65	118,0
1292TR132312	13X23	G1/2"	27	65	124,0
1292TR132412	13X24	G1/2"	30	65	151,0
1292TR132512	13X25	G1/2"	30	65	151,0



## 1293



Swivel large male rubber hose connector BSPT

CODE	ØTUBE	T	H	L	GR.
1293TR101912	10X19	R1/2"	24	69	158,0
1293TR102012	10X20	R1/2"	24	69	158,0
1293TR102112	10X21	R1/2"	24	69	159,0
1293TR102212	10X22	R1/2"	25	69	164,0
1293TR102312	10X23	R1/2"	27	69	166,0
1293TR131912	13X19	R1/2"	25	69	162,0
1293TR132012	13X20	R1/2"	25	69	164,0
1293TR132112	13X21	R1/2"	25	69	164,0
1293TR132312	13X23	R1/2"	27	69	170,0
1293TR132412	13X24	R1/2"	30	69	196,0
1293TR132512	13X25	R1/2"	30	69	196,0

## 1278



Sliding tap bayoneted joint with rubber hose connector

CODE	ØTUBE	GR.
1278TR612	6X12	93
1278TR614	6X14	91
1278TR817	8X17	100
1278TR1019	10X19	112



# STANDARD FITTINGS

## NYLON

### PLUS

---

**COMPLETE RANGE**

---

**STRONG AND DURABLE HIGH IMPACT  
RESI STANCE**

---

**SUITABLE FOR FOOD**





p. 329 / **1800**



p. 329 / **1802**



p. 330 / **1810**



p. 330 / **1812**



p. 330 / **1820**



p. 331 / **1825**



p. 331 / **1827**



p. 331 / **1830**



p. 331 / **1832**



p. 332 / **1834**



p. 332 / **1840**



p. 332 / **1850**



p. 332 / **1855**



p. 333 / **1875**



p. 333 / **1800N**



p. 333 / **1802N**



p. 333 / **1810N**



p. 334 / **1812N**



p. 334 / **1820N**



p. 334 / **1825N**



p. 335 / **1827N**



p. 335 / **1830N**



p. 335 / **1832N**

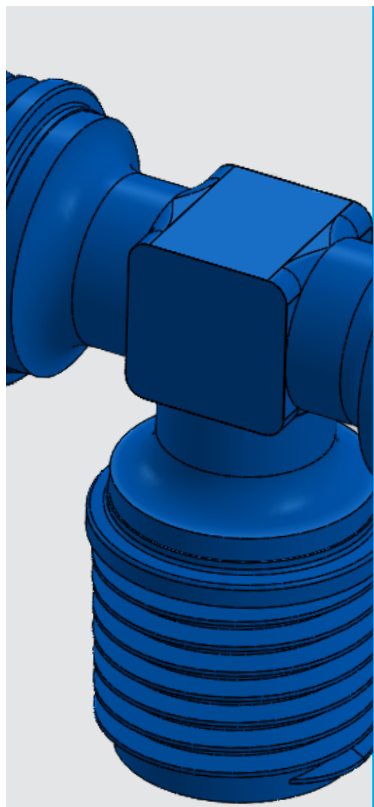


p. 335 / **1840N**



p. 336 / **1850N**





-20°C ÷ +110°C subject to applications



Up to 14 Bar at 20°C



Compressed air, water and food fluids suitable with construction materials



Taper gas BSPT ISO 7 from R1/8" to R3/4" NPT from N1/8" to N3/4"



Nylon 66

### PRECAUTIONS

- The products are made in plastic and it's necessary to use teflon coating over the thread for installation in order and to prevent air leakage. Be sure to prevent excessive torque when screwing the fittings.
- To connect the tube, insert the tube to the end and tight the cap before use.
- Cut the pressed part of the tube before connection to reuse the released tube.



Products in compliance with the directive 2002/95/EC

### RECOMMENDED TIGHTENING TORQUE

THREAD SIZE	NM	FT LB
1/8	0,1	0,07
1/4	0,8	0,6
3/8	4	3
1/2	6	4
3/4	8	6
1	10	7

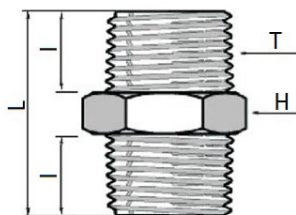
### RoHS2

Products in compliance with the directive 2011/65/EU



## 1800

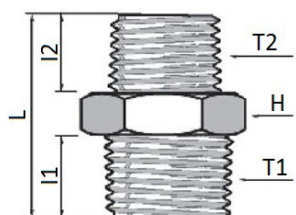
Nipple BSPT thread



CODE	T	L	I	H	GR.
1800TR18	R1/8"	23,0	8,0	14	1,4
1800TR14	R1/4"	27,0	10,0	17	3,5
1800TR38	R3/8"	28,0	10,0	19	4,2
1800TR12	R1/2"	34,0	12,5	22	8,0

## 1802

Reduced nipple BSPT thread

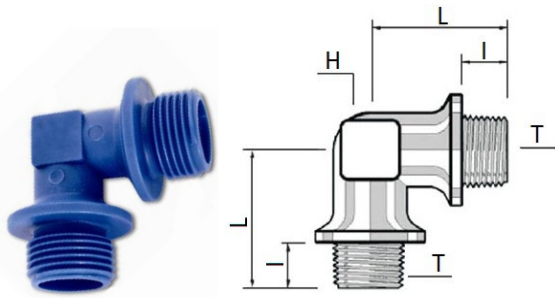


CODE	T1	T2	I1	I2	L	H	GR.
1802TR1418	R1/4"	R1/8"	10,5	8,5	25,0	17	2,5
1802TR3818	R3/8"	R1/8"	10,0	8,0	26,0	19	3,8
1802TR3814	R3/8"	R1/4"	10,0	10,0	28,0	19	4,1
1802TR1214	R1/2"	R1/4"	13,0	10,5	31,5	22	6,7
1802TR1238	R1/2"	R3/8"	13,0	10,5	31,5	22	6,0



1810

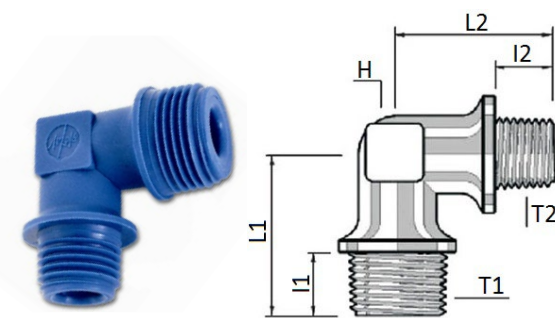
M/M elbow BSPT thread



CODE	T	I	L	H	GR.
1810TR18	R1/8"	8,0	20,0	10	3,0
1810TR14	R1/4"	10,0	22,0	10	4,0
1810TR38	R3/8"	10,0	24,0	14	7,0
1810TR12	R1/2"	12,5	32,0	17	15,0

1812

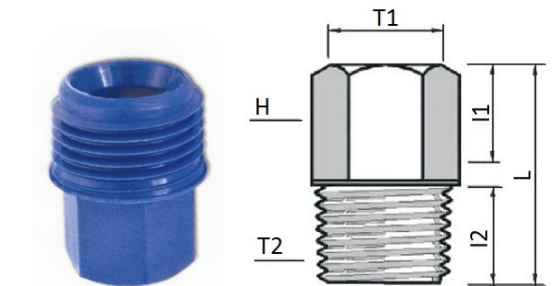
Reduced M/M elbow BSPT thread



CODE	T1	T2	I1	I2	L1	L2	H	GR.
1812TR1418	R1/4"	R1/8"	10,0	8,0	22,0	20,0	12	3,6
1812TR3814	R3/8"	R1/4"	10,0	10,0	24,0	24,0	15	6,5
1812TR1238	R1/2"	R3/8"	12,5	10,0	32,0	29,5	17	13,0

1820

Adapter M/F BSPT thread

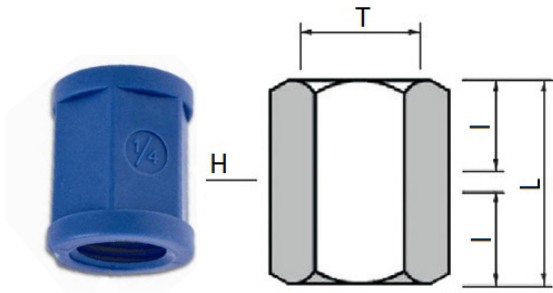


CODE	T1	T2	I1	I2	L	H	GR.
1820TR1818	R1/8"	R1/8"	9,0	8,0	21,5	14	1,0
1820TR1414	R1/4"	R1/4"	10,5	10,0	25,0	17	3,0
1820TR3838	R3/8"	R3/8"	11,0	10,5	26,0	22	5,3
1820TR1212	R1/2"	R1/2"	13,5	13,0	31,0	26	9,0
1820TR1814	R1/8"	R1/4"	10,5	10,0	23,0	14	2,4
1820TR1838	R1/8"	R3/8"	9,0	10,0	24,0	14	2,7
1820TR1812	R1/8"	R1/2"	9,0	12,0	27,0	14	4,1
1820TR1438	R1/4"	R3/8"	10,5	10,0	25,0	17	5,0
1820TR1412	R1/4"	R1/2"	10,5	10,0	27,0	17	4,8
1820TR3812	R3/8"	R1/2"	11,0	13,0	28,0	22	8,0
1820TR1418	R1/4"	R1/8"	10,5	8,0	23,0	17	2,8
1820TR3818	R3/8"	R1/8"	11,0	8,0	23,5	22	4,8
1820TR3814	R3/8"	R1/4"	11,0	10,0	25,0	22	5,1
1820TR1218	R1/2"	R1/8"	13,5	8,0	25,0	26	7,0
1820TR1214	R1/2"	R1/4"	13,5	10,0	26,0	26	7,2
1820TR1238	R1/2"	R3/8"	13,5	10,0	28,0	26	8,0



1825

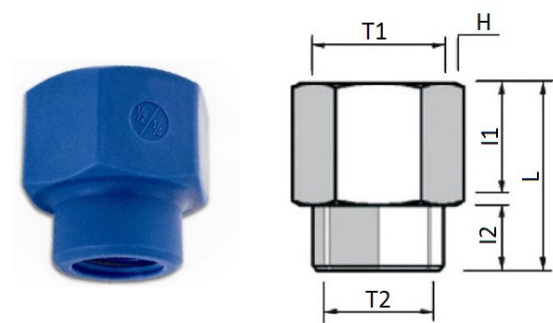
F/F sleeve BSPT thread



CODE	T	I	L	H	GR.
1825TR18	R1/8"	9,0	19,5	14	2,3
1825TR14	R1/4"	11,0	23,0	17	3,7
1825TR38	R3/8"	11,0	24,0	21	5,2
1825TR12	R1/2"	13,5	29,0	26	9,6
1825TR34	R3/4"	18,0	38,0	34	16,8

1827

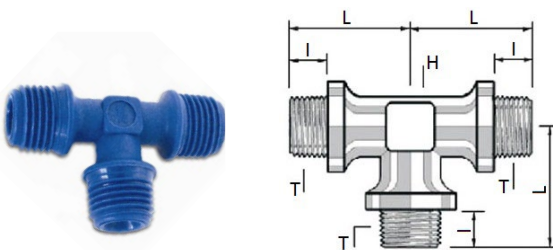
Reduced F/F sleeve BSPT thread



CODE	T1	T2	I1	I2	L	H	GR.
1827TR1418	R1/4"	R1/8"	11,0	9,0	21,5	17	3,2
1827TR3818	R3/8"	R1/8"	11,0	9,0	24,0	21	5,2
1827TR3814	R3/8"	R1/4"	11,0	11,0	24,5	21	6,0
1827TR1214	R1/2"	R1/4"	13,5	11,0	27,0	26	8,0
1827TR1238	R1/2"	R3/8"	13,5	11,0	27,0	26	7,7
1827TR3414	R3/4"	R1/4"	13,5	11,0	27,0	30	11,0
1827TR3412	R3/4"	R1/2"	13,5	11,0	27,0	30	14,5

1830

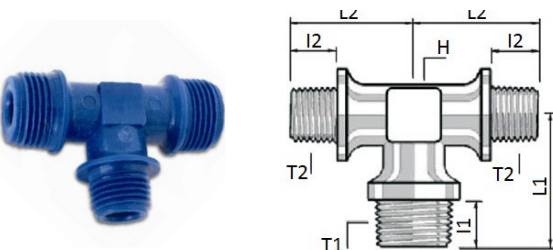
Male tee BSPT thread



CODE	T	I	L	H	GR.
1830TR18	R1/8"	8,0	20,0	12	4,0
1830TR14	R1/4"	10,0	22,0	12	5,0
1830TR38	R3/8"	10,0	25,0	15	10,0
1830TR12	R1/2"	12,5	32,0	17	22,0

1832

Central reduced male tee BSPT thread

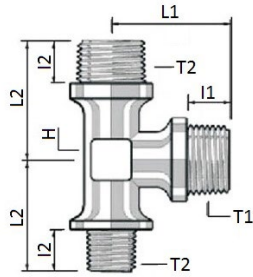


CODE	T1	T2	I1	I2	L1	L2	H	GR.
1832TR1814	R1/8"	R1/4"	8,0	10,0	20,0	22,0	12	4,4
1832TR1438	R1/4"	R3/8"	10,0	10,0	25,0	24,0	15	9,3
1832TR3812	R3/8"	R1/2"	10,0	12,5	29,5	31,0	17	17,3
1832TR1418	R1/4"	R1/8"	10,0	8,0	22,0	20,0	12	5,6
1832TR3814	R3/8"	R1/4"	10,0	10,0	25,0	24,0	15	9,7
1832TR1238	R1/2"	R3/8"	12,5	10,0	32,0	31,0	17	17,0



1834

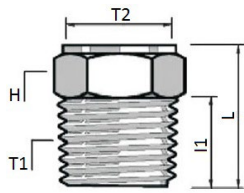
Lateral reduced male tee BSPT thread



CODE	T1	T2	I1	I2	L1	L2	H	GR.
1834TR1814	R1/8"	R1/4"	8,0	10,0	20,0	21,0	12	5,0
1834TR1438	R1/4"	R3/8"	10,0	10,0	24,0	24,0	15	9,5
1834TR3812	R3/8"	R1/2"	10,0	12,5	29,5	31,0	17	19,0
1834TR1418	R1/4"	R1/8"	10,0	8,0	22,0	21,0	12	4,9
1834TR3814	R3/8"	R1/4"	10,0	10,0	24,0	24,0	15	8,8
1834TR1238	R1/2"	R3/8"	12,5	10,0	32,0	31,0	17	17,9

1840

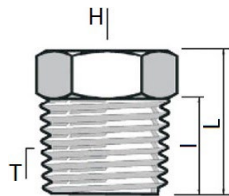
M/F reducer BSPT thread



CODE	T1	T2	I1	L	H	GR.
1840TR1418	R1/4"	R1/8"	10,0	17,5	14	1,5
1840TR3818	R3/8"	R1/8"	10,5	17,5	17	2,7
1840TR3814	R3/8"	R1/4"	10,5	17,5	17	2,1
1840TR1218	R1/2"	R1/8"	12,5	20,5	22	6,0
1840TR1214	R1/2"	R1/4"	12,5	20,5	22	5,5
1840TR1238	R1/2"	R3/8"	12,5	20,5	22	3,8
1840TR3414	R3/4"	R1/4"	13,5	22,5	27	8,9
1840TR3438	R3/4"	R3/8"	13,5	22,5	27	8,1
1840TR3412	R3/4"	R1/2"	13,5	22,5	27	7,0

1850

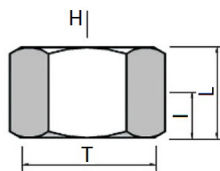
M plug BSPT thread



CODE	T	I	L	H	GR.
1850TR18	R1/8"	9,0	14,0	12	1,0
1850TR14	R1/4"	10,5	16,0	15	2,0
1850TR38	R3/8"	10,5	16,0	17	3,0
1850TR12	R1/2"	12,5	20,0	22	5,0
1850TR34	R3/4"	15,0	22,0	30	8,0
1850TR1	R1"	20,0	27,0	36	-

1855

Female plug BSPT thread



CODE	T	I	L	H	GR.
1855TR18	R1/8"	9,0	15,0	13	1,1
1855TR14	R1/4"	10,0	16,0	16	1,2
1855TR38	R3/8"	11,0	14,0	20	2,7
1855TR12	R1/2"	13,5	20,5	25	4,3
1855TR34	R3/4"	14,0	19,5	30	6,2





1875

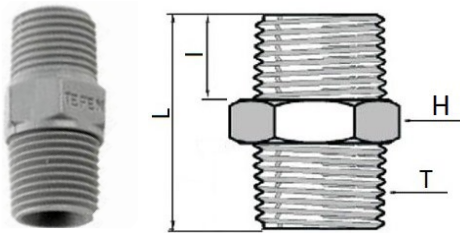
Nut BSPT thread



CODE	T	S	H	GR.
1875TR14	R1/4"	35,0	15,0	0,8
1875TR12	R1/2"	110,0	25,5	3,0

1800N

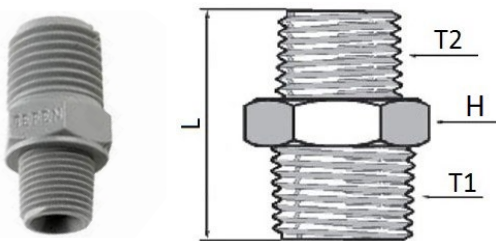
Nipple NPT



CODE	T	H	L	GR.
1800TRN18	N1/8"	11	23,9	1,4
1800TRN14	N1/4"	14	32,7	2,79
1800TRN38	N3/8"	17	34,4	4,85
1800TRN12	N1/2"	22	43,3	8,75
1800TRN34	N3/4"	27	44,4	12,44

1802N

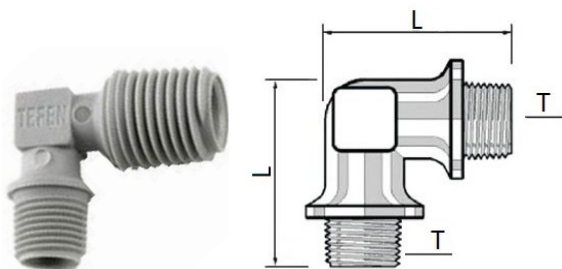
Reduced nipple NPT thread



CODE	T1	T2	H	L	GR.
1802TRN1418	N1/4"	N1/8"	14	28,4	2,3
1802TRN3818	N3/8"	N1/8"	17	29,6	3,8
1802TRN1218	N1/2"	N1/8"	22	34,9	6,4
1802TRN3418	N3/4"	N1/8"	27	35,4	9,1
1802TRN3814	N3/8"	N1/4"	17	33,4	4,17
1802TRN1214	N1/2"	N1/4"	22	38,7	6,9
1802TRN3414	N3/4"	N1/4"	27	39,4	9,5
1802TRN1238	N1/2"	N3/8"	22	39,1	7,6
1802TRN3438	N3/4"	N3/8"	27	39,6	10,2
1802TRN3412	N3/4"	N1/2"	27	44,1	11,4

1810N

M/M elbow NPT thread

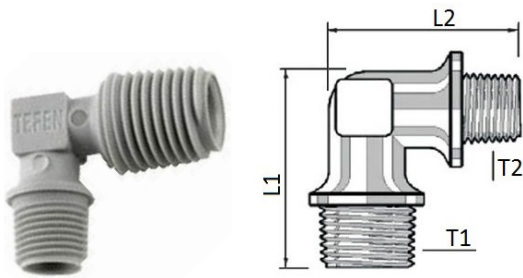


CODE	T	L	GR.
1810TRN18	N1/8"	23,8	2,2
1810TRN14	N1/4"	28,4	3,3



1812N

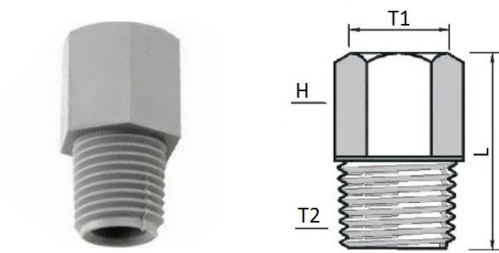
Reducer M/M elbow NPT thread



CODE	T1	T2	L1	L2	GR.
1812TRN1418	N1/4"	N1/8"	28,4	24,0	2,9

1820N

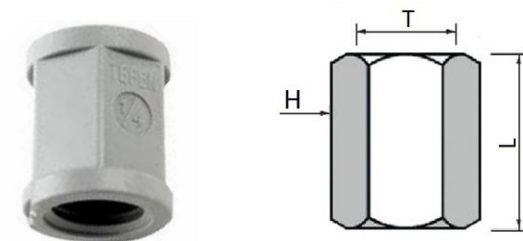
M/F adapter NPT thread



CODE	T1	T2	H	L	GR.
1820TRN1818	N1/8"	N1/8"	14	23,4	2,2
1820TRN1414	N1/4"	N1/4"	17	30,7	3,8
1820TRN3838	N3/8"	N3/8"	22	30,4	5,95
1820TRN1212	N1/2"	N1/2"	26	39,0	5,77
1820TRN1814	N1/8"	N1/4"	14	23,4	2,55
1820TRN1838	N1/8"	N3/8"	14	27,4	3,13
1820TRN1812	N1/8"	N1/2"	14	32,5	4,66
1820TRN1438	N1/4"	N3/8"	17	30,5	4,23
1820TRN1412	N1/4"	N1/2"	17	35,5	5,8
1820TRN3812	N3/8"	N1/2"	22	35,5	7,66
1820TRN1418	N1/4"	N1/8"	17	26,5	3,17
1820TRN3818	N3/8"	N1/8"	22	26,3	5,06
1820TRN3814	N3/8"	N1/4"	22	26,5	5,68
1820TRN1218	N1/2"	N1/8"	26	30,0	7,73
1820TRN1214	N1/2"	N1/4"	26	34,0	8,04
1820TRN1238	N1/2"	N3/8"	26	36,6	8,66

1825N

F/F sleeve NPT thread

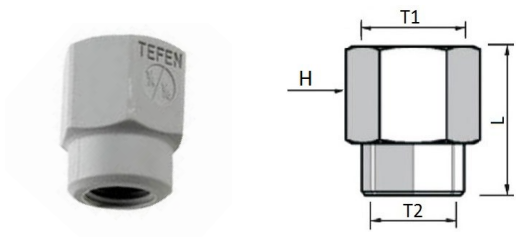


CODE	T	H	L	GR.
1825TRN18	N1/8"	14	19,7	2,3
1825TRN14	N1/4"	17	23,5	3,7
1825TRN38	N3/8"	22	24,6	5,2
1825TRN12	N1/2"	27	29,5	9,7



**1827N**

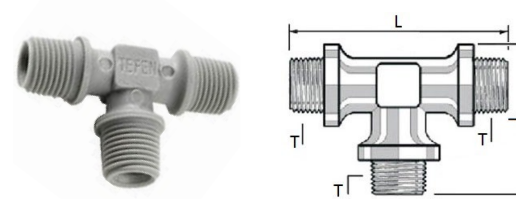
Reducer F/F sleeve NPT thread



CODE	T1	T2	H	L	GR.
1827TRN1418	N1/4"	N1/8"	17	22,0	3,2
1827TRN3818	N3/8"	N1/8"	22	24,4	4,9
1827TRN3814	N3/8"	N1/4"	22	24,8	4,83
1827TRN1214	N1/2"	N1/4"	26	27,0	7,4
1827TRN1238	N1/2"	N3/8"	26	26,8	7,8

**1830N**

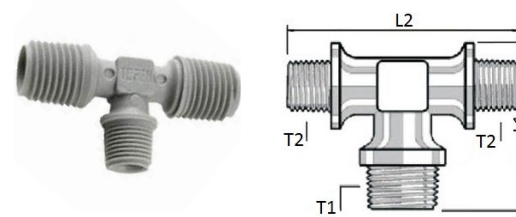
Male tee NPT thread



CODE	T	L	L1	GR.
1830TRN18	N1/8"	39,3	24,0	3,2
1830TRN14	N1/4"	48,4	28,5	4,8

**1832N**

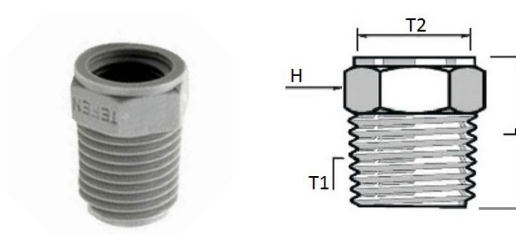
Central reducer male tee NPT thread



CODE	T1	T2	L1	L2	GR.
1832TRN1418	N1/4"	N1/8"	48,4	24,0	4,2

**1840N**

M/F reducer NPT thread

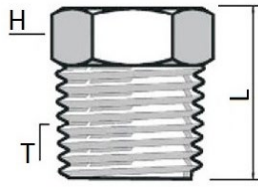


CODE	T1	T2	H	L	GR.
1840TRN1418	N1/4"	N1/8"	24	27,2	1,78
1840TRN3818	N3/8"	N1/8"	29	27,3	3,3
1840TRN3814	N3/8"	N1/4"	29	27,2	2,4
1840TRN1218	N1/2"	N1/8"	18	20,8	6,98
1840TRN1214	N1/2"	N1/4"	15	21,0	6,65
1840TRN1238	N1/2"	N3/8"	19	20,8	5,55
1840TRN3414	N3/4"	N1/4"	29	27,2	10,44
1840TRN3438	N3/4"	N3/8"	29	27,0	9,85
1840TRN3412	N3/4"	N1/2"	19	27,1	7,9



## 1850N

M plug NPT thread



CODE	T	H	L	GR.
1850TRN18	N1/8"	11	14,7	1,1
1850TRN14	N1/4"	14	19,4	2
1850TRN38	N3/8"	17	20,4	3,3
1850TRN12	N1/2"	22	25,6	6
1850TRN34	N3/4"	27	26,0	8,7



# STANDARD FITTINGS

PVDF

PLUS

COMPLETE RANGE

---

FITTINGS MADE OF PVDF CAN  
FUNCTION WELL, EVEN WHEN  
EXPOSED TO A WIDE RANGE OF  
TEMPERATURES AND HIGH CORROSIVE  
CHEMICALS

---

SUITABLE FOR FOOD





p. 339 / **1900**



p. 339 / **1902**



p. 340 / **1910**



p. 340 / **1912**



p. 340 / **1920**



p. 341 / **1925**



p. 341 / **1927**



p. 341 / **1930**



p. 341 / **1932**



p. 342 / **1934**



p. 342 / **1940**

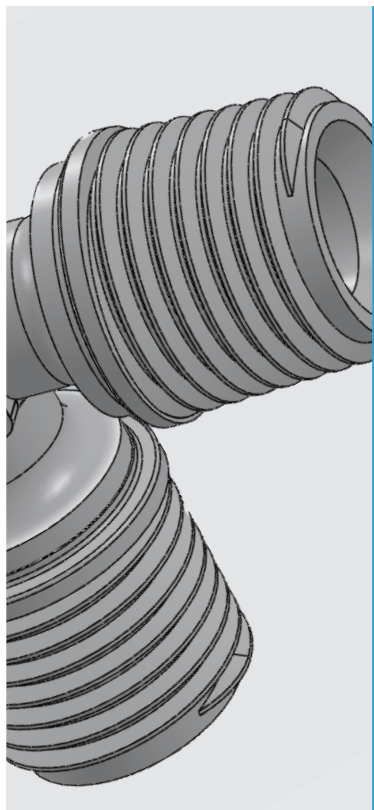


p. 342 / **1950**



p. 342 / **1955**





20°C ÷ +120°C  
subject to applications



Up to 14 Bar at 20°C



Compressed air, water and food fluids suitable with construction materials



Taper gas BSPT ISO 7 from R1/8" to R3/4"



Polyvinylidene fluoride (PVDF)

**FEATURES**

To be used with all kind of very corrosive fluids like acids, weak bases, halogens, alcohols, salts, heavy duty oxidants, detergents, ecc. Uv resistant, Nuclear resistant.

Available on demand with NPT thread



Products in compliance with the directive 2002/95/EC

**RoHS2**

Products in compliance with the directive 2011/65/EU

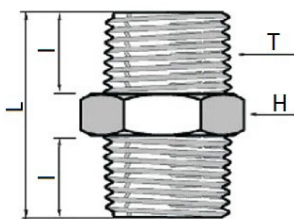


**RECOMMENDED TIGHTENING TORQUE**

THREAD SIZE	NM	FT LB
1/8	0,1	0,07
1/4	1	0,8
3/8	5	3
1/2	8	6
3/4	16	12
1	26	19

**1900**

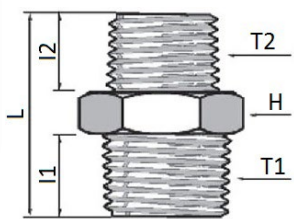
Nipple BSPT thread



CODE	T	L	I	H	GR.
1900TR18	R1/8"	23,0	8,0	14	1,4
1900TR14	R1/4"	27,0	10,0	17	3,5
1900TR38	R3/8"	28,0	10,0	19	4,2
1900TR12	R1/2"	34,0	12,5	22	8,0

**1902**

Reduced nipple BSPT thread

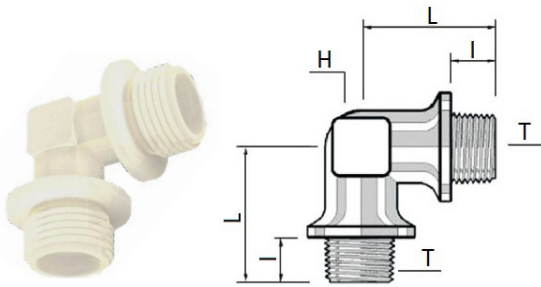


CODE	T1	T2	I1	I2	L	H	GR.
1902TR1418	R1/4"	R1/8"	10,5	8,5	25,0	17	2,5
1902TR3818	R3/8"	R1/8"	10,0	8,0	26,0	19	3,8
1902TR3814	R3/8"	R1/4"	10,0	10,0	28,0	19	4,1
1902TR1218	R1/2"	R1/8"	13,0	12,0	35,0	22	6,1
1902TR1214	R1/2"	R1/4"	13,0	10,5	31,5	22	6,7
1902TR1238	R1/2"	R3/8"	13,0	10,5	31,5	22	6,0



1910

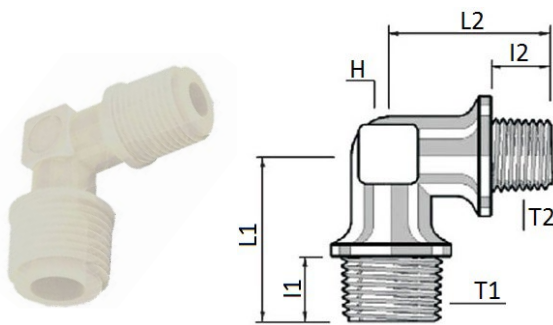
Elbow M/M BSPT thread



CODE	T	I	L	H	GR.
1910TR18	R1/8"	8,0	20,0	10	3,0
1910TR14	R1/4"	10,0	22,0	10	4,0
1910TR38	R3/8"	10,0	24,0	14	7,0
1910TR12	R1/2"	12,5	32,0	17	15,0

1912

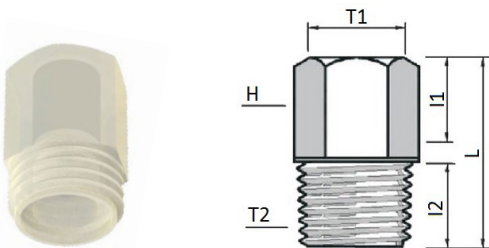
Reduced elbow M/M BSPT thread



CODE	T1	T2	I1	I2	L1	L2	H	GR.
1912TR1418	R1/4"	R1/8"	10,0	8,0	22,0	20,0	12	3,6
1912TR3814	R3/8"	R1/4"	10,0	10,0	24,0	24,0	15	6,5
1912TR1238	R1/2"	R3/8"	12,5	10,0	32,0	29,5	17	13,0

1920

Adapter M/F BSPT thread



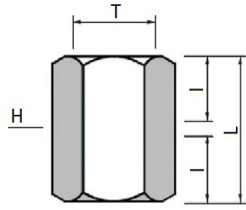
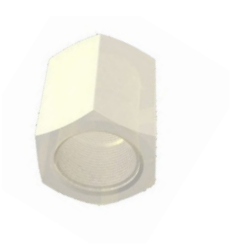
CODE	T1	T2	I1	I2	L	H	GR.
1920TR1818	R1/8"	R1/8"	9,0	8,0	21,5	14	1,0
1920TR1414	R1/4"	R1/4"	10,5	10,0	25,0	17	3,0
1920TR3838	R3/8"	R3/8"	11,0	10,5	26,0	22	5,3
1920TR1212	R1/2"	R1/2"	13,5	13,0	31,0	26	9,0
1920TR1814	R1/8"	R1/4"	10,5	10,0	23,0	14	2,4
1920TR1838	R1/8"	R3/8"	9,0	10,0	24,0	14	2,7
1920TR1812	R1/8"	R1/2"	9,0	12,0	27,0	14	4,1
1920TR1438	R1/4"	R3/8"	10,5	10,0	25,0	17	5,0
1920TR1412	R1/4"	R1/2"	10,5	10,0	27,0	17	4,8
1920TR3812	R3/8"	R1/2"	11,0	13,0	28,0	22	8,0
1920TR1418	R1/4"	R1/8"	10,5	8,0	23,0	17	2,8
1920TR3818	R3/8"	R1/8"	11,0	8,0	23,5	22	4,8
1920TR3814	R3/8"	R1/4"	11,0	10,0	25,0	22	5,1
1920TR1218	R1/2"	R1/8"	13,5	8,0	25,0	26	7,0
1920TR1214	R1/2"	R1/4"	13,5	10,0	26,0	26	7,2
1920TR1238	R1/2"	R3/8"	13,5	10,0	28,0	26	8,0





1925

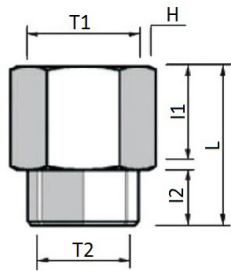
Sleeve F/F BSPT thread



CODE	T	I	L	H	GR.
1925TR18	R1/8"	9,0	19,5	14	2,3
1925TR14	R1/4"	11,0	23,0	17	3,7
1925TR38	R3/8"	11,0	24,0	21	5,2
1925TR12	R1/2"	13,5	29,0	26	9,6
1925TR34	R3/4"	18,0	38,0	34	16,8

1927

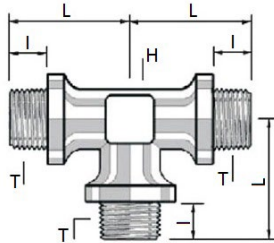
Reduced sleeve F/F BSPT thread



CODE	T1	T2	I1	I2	L	H	GR.
1927TR1418	R1/4"	R1/8"	11,0	9,0	21,5	17	3,2
1927TR3818	R3/8"	R1/8"	11,0	9,0	24,0	21	5,2
1927TR3814	R3/8"	R1/4"	11,0	11,0	24,5	21	6,0
1927TR1214	R1/2"	R1/4"	13,5	11,0	27,0	26	8,0
1927TR1238	R1/2"	R3/8"	13,5	11,0	27,0	26	7,7
1927TR3414	R3/4"	R1/4"	13,5	11,0	27,0	30	11,0
1927TR3412	R3/4"	R1/2"	13,5	11,0	27,0	30	14,5

1930

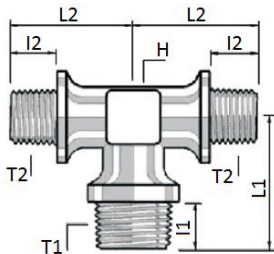
Male tee BSPT thread



CODE	T	I	L	H	GR.
1930TR18	R1/8"	8,0	20,0	12	4,0
1930TR14	R1/4"	10,0	22,0	12	5,0
1930TR38	R3/8"	10,0	25,0	15	10,0
1930TR12	R1/2"	12,5	32,0	17	22,0

1932

Central reduced male tee BSPT thread

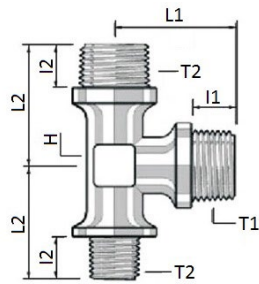


CODE	T1	T2	I1	I2	L1	L2	H	GR.
1932TR1814	R1/8"	R1/4"	8,0	10,0	20,0	22,0	12	4,4
1932TR1438	R1/4"	R3/8"	10,0	10,0	25,0	24,0	15	9,3
1932TR3812	R3/8"	R1/2"	10,0	12,5	29,5	31,0	17	17,3
1932TR1418	R1/4"	R1/8"	10,0	8,0	22,0	20,0	12	5,6
1932TR3814	R3/8"	R1/4"	10,0	10,0	25,0	24,0	15	9,7
1932TR1238	R1/2"	R3/8"	12,5	10,0	32,0	31,0	17	17,0



1934

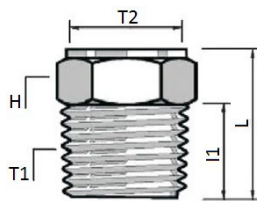
Lateral reduced male tee BSPT thread



CODE	T1	T2	I1	I2	L1	L2	H	GR.
1934TR1814	R1/8"	R1/4"	8,0	10,0	20,0	21,0	12	5,0
1934TR1418	R1/4"	R1/8"	10,0	8,0	22,0	21,0	12	4,9
1934TR1438	R1/4"	R3/8"	10,0	10,0	24,0	24,0	15	9,5
1934TR3814	R3/8"	R1/4"	10,0	10,0	24,0	24,0	15	8,8
1934TR3812	R3/8"	R1/2"	10,0	12,5	29,5	31,0	17	19,0
1934TR1238	R1/2"	R3/8"	12,5	10,0	32,0	31,0	17	17,9

1940

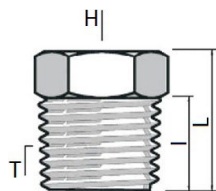
M/F reduced BSPT thread



CODE	T1	T2	I1	L	H	GR.
1940TR1418	R1/4"	R1/8"	10,0	17,5	14	1,5
1940TR3818	R3/8"	R1/8"	10,5	17,5	17	2,7
1940TR3814	R3/8"	R1/4"	10,5	17,5	17	2,1
1940TR1218	R1/2"	R1/8"	12,5	20,5	22	6,0
1940TR1214	R1/2"	R1/4"	12,5	20,5	22	5,0
1940TR1238	R1/2"	R3/8"	12,5	20,5	22	3,8
1940TR3414	R3/4"	R1/4"	13,5	22,5	27	8,9
1940TR3438	R3/4"	R3/8"	13,5	22,5	27	8,1
1940TR3412	R3/4"	R1/2"	13,5	22,5	27	7,0

1950

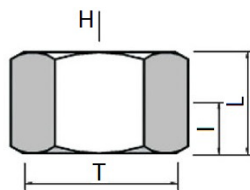
Male plug BSPT thread



CODE	T	I	L	H	GR.
1950TR18	R1/8"	9,0	14,0	12	1,0
1950TR14	R1/4"	10,5	16,0	15	2,0
1950TR38	R3/8"	10,5	16,0	17	3,0
1950TR12	R1/2"	12,5	20,0	22	5,0
1950TR34	R3/4"	15,0	22,0	30	8,0
1950TR1	R1"	-	27,0	36	11,0

1955

Female plug BSPT thread



CODE	T	I	L	H	GR.
1955TR18	R1/8"	9,0	15,0	13	1,1
1955TR14	R1/4"	10,0	16,0	16	1,2
1955TR38	R3/8"	11,0	14,0	20	2,7
1955TR12	R1/2"	13,5	20,5	25	4,3
1955TR34	R3/4"	14,0	19,5	30	6,2



# **STANDARD FITTINGS**

INOX AISI 316

**PLUS**

**ALL FLUIDS IN AGGRESSIVE  
ENVIROMENTS**

---

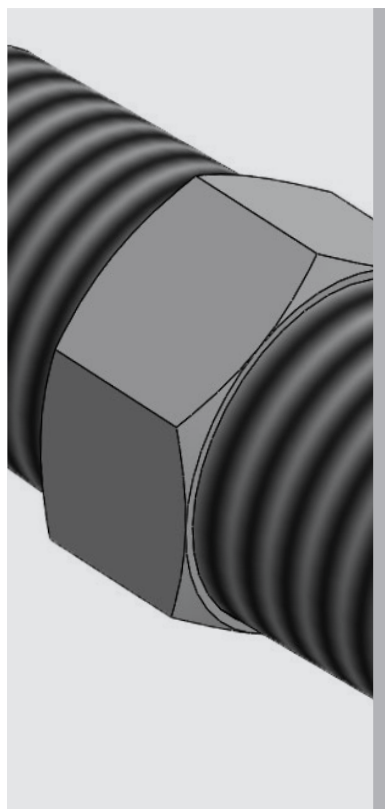
**ROBUST DESIGN PRODUCTS**

---

**SUITABLE FOR FOOD**



p. 345 / **1410**p. 345 / **1412**p. 346 / **1420**p. 346 / **1425**p. 346 / **1426**p. 346 / **1430**p. 347 / **1440**p. 347 / **1461**p. 347 / **1476**p. 348 / **1449**p. 348 / **P-SL**p. 349 / **P-SSL**p. 349 / **P-ST**p. 349 / **P-SBT**p. 349 / **P-SHN**p. 350 / **P-MFAA**



-20°C ÷ +180°C



Up to 150 Bar



Compressed air, potable water and food fluids suitable with construction materials



Taper gas BSPT ISO 7 from R1/8" to R1 3/4"  
Parallel BSPP ISO 228 from G1/8" to G1 3/4"



Stainless steel AISI 316



Products in compliance with the directive 2002/95/EC

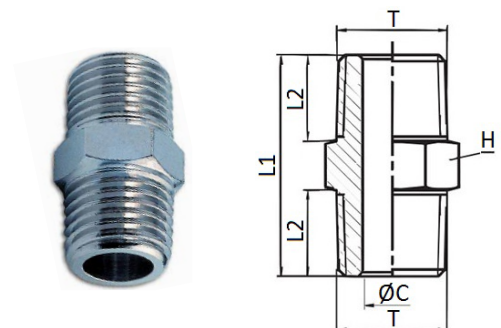
**RoHS2**

Products in compliance with the directive 2011/65/EU



1410

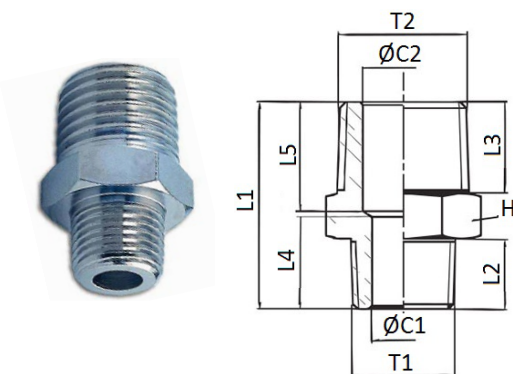
Nipple BSPT thread



CODE	T	ØC	L1	L2	H	GR
1410TR18	R1/8"	5	24	9,0	12	11,3
1410TR14	R1/4"	7	27	10,5	14	19,6
1410TR38	R3/8"	10	30	11,5	17	29,9
1410TR12	R1/2"	13	38	15,0	22	58,0
1410TR34	R3/4"	18	46	18,0	27	95,4

1412

Reduced nipple BSPT thread

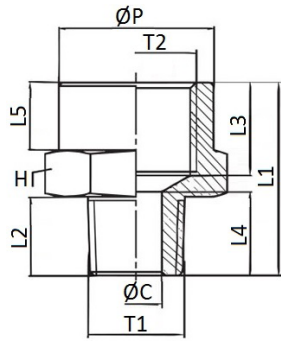


CODE	T1	T2	ØC1	ØC2	L1	L2	L3	L4	L5	H	GR.
1412TR1814	R1/8"	R1/4"	7	5	25,5	10,5	9,0	15,0	9,9	14	15,9
1412TR1438	R1/4"	R3/8"	7	10	29,0	10,5	11,5	13,10	15,0	17	26,6
1412TR1412	R1/4"	R1/2"	7	13	33,0	10,5	15,0	13,27	18,0	22	45,3
1412TR3812	R3/8"	R1/2"	10	13	34,0	11,5	15,0	15,10	18,0	22	48,5
1412TR1234	R1/2"	R3/4"	13	18	43,0	15,0	18,0	19,60	22,0	27	87,1



1420

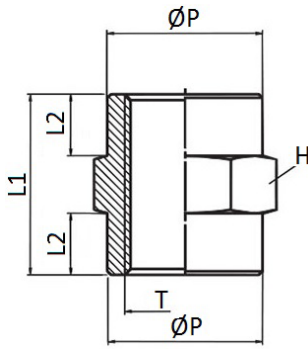
Enlarger M BSPT thread / F BSPP thread



CODE	T1	T2	ØC	ØP	L1	L2	L3	L4	L5	H	GR.
1420TR1814	R1/8"	G1/4"	5	16,5	22	8	11,0	9,1	8,0	17	16,2
1420TR1438	R1/4"	G3/8"	7	21,5	27,0	11	13,0	11,7	9,5	22	33,2
1420TR3812	R3/8"	G1/2"	10	26,5	30,0	11	15,0	12,4	11,5	27	54,6

1425

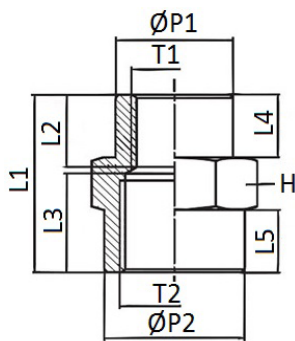
Sleeve F/F BSPP thread



CODE	T	ØP	L1	L2	H	GR.
1425TR18	G1/8"	13,0	15	5,0	14	8,9
1425TR14	G1/4"	16,5	22	7,5	17	17,4
1425TR38	G3/8"	21,5	25	8,5	22	34,4
1425TR12	G1/2"	26,5	32	11,0	27	64,4
1425TR34	G3/4"	31,5	34	12,0	32	79,3

1426

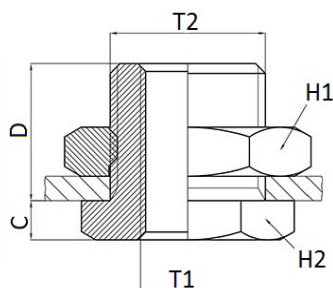
Reduced sleeve F/F BSPP thread



CODE	T1	T2	ØP1	ØP2	L1	L2	L3	L4	L5	H	GR.
1426TR1814	G1/8"	G1/4"	13,5	16,5	23,0	9,1	13	7,0	9,0	17	18,4
1426TR1438	G1/4"	G3/8"	18,0	21,5	27,0	11,0	15	9,5	9,5	22	36,2
1426TR1412	G1/4"	G1/2"	18,0	26,5	30,0	10,8	17	9,5	10,5	27	56,8
1426TR3812	G3/8"	G1/2"	21,5	26,5	30,0	11,8	17	8,0	13,0	27	61,6
1426TR1234	G1/2"	G3/4"	26,5	31,5	36,0	14,6	20	11,0	15,0	32	88,3

1430

Bulkhead Inox AISI 316

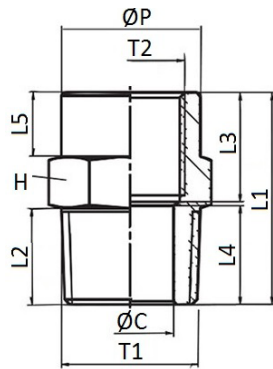


CODE	T1	T2	C	D	H1	H2	GR.
1430TR14M2015	1/4	M20X1,5	4	20	27	24	58,0
1430TR12M2815	1/2	M28X1,5	6	27	36	32	125,0



1440

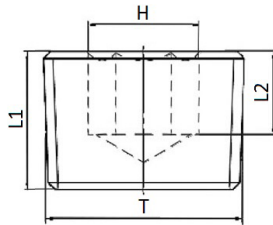
Reducer M BSPT thread / F BSPP thread



CODE	T1	T2	ØP	ØC	L1	L2	L3	L4	L5	H	GR.
1440TR1418	R1/4"	G1/8"	13,5	7,0	23,5	11,0	9	13,0	7,0	14	16,0
1440TR3814	R3/8"	G1/4"	16,5	10,0	26,5	11,5	12	13,1	8,0	17	23,7
1440TR1238	R1/2"	G3/8"	21,4	13,0	33,0	15,0	17	15,4	10,0	22	47,0

1461

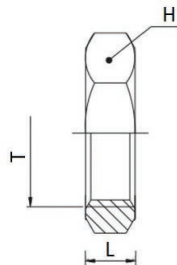
Plug M BSPT thread with exagon embedded



CODE	T	L1	L2	H	GR.
1461TR18	R1/8"	8,2	5,0	5	3,0
1461TR14	R1/4"	10,2	6,0	6	7,4
1461TR38	R3/8"	11,6	7,0	8	14,0
1461TR12	R1/2"	13,3	8,0	10	24,5
1461TR34	R3/4"	15,0	9,0	12	46,4

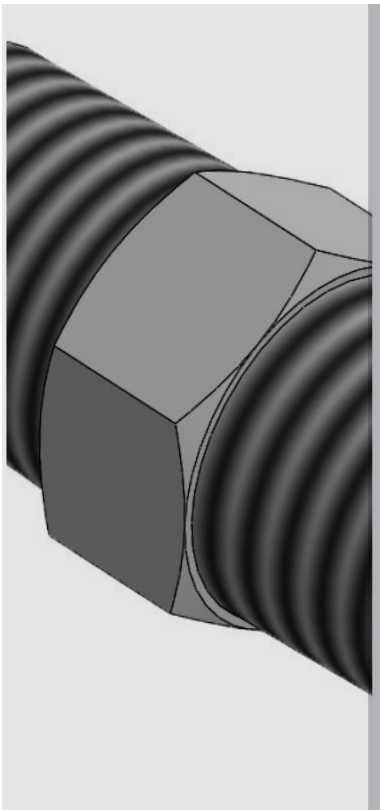
1476

Locknuts for bulkhead



CODE	T	L	H
1476TRHM1215	M12X1,5	6	17
1476TRHM1415	M14X1,5	6	19
1476TRHM1615	M16X1,5	6	22
1476TRHM1815	M18X1,5	6	24
1476TRHM2215	M22X1,5	7	30





-198°C ÷ +648°C



See the datasheet.  
Pressure calculated at 37,8°C



Compressed air, water and fluids compatible with construction material.



Taper gas BSPT from R1/8" to R1"  
Parallel gas BSPP from G1/8" to G1"  
NPT from N1/8" to N1"



Stainless steel AISI 316



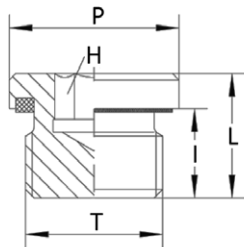
Products in compliance with the directive 2002/95/EC

**RoHS2**

Products in compliance with the directive 2011/65/EU

**1449**

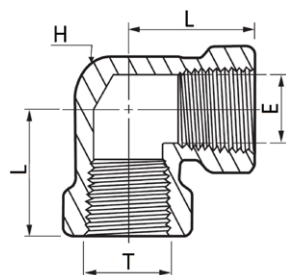
Male plug BSPP thread



CODE	T	P	L	I	H	PN
1449TRH18	G1/8"	14	12,0	8	5	400
1449TRH14	G1/4"	19	17,0	12	6	400
1449TRH38	G3/8"	22	17,0	12	8	400
1449TRH12	G1/2"	27	19,0	14	10	400
1449TRH34	G3/4"	32	21,0	16	12	400
1449TRH1	G1"	40	22,5	16	17	400

**P-SL**

Elbow F/F BSPP thread



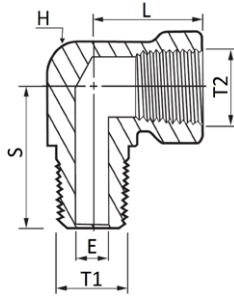
CODE	T	L	E	H WRENCH FLAT	PN (BAR)
P-SL-2G	G1/8"	24,1	8,9	12,7	448
P-SL-4G	G1/4"	29,0	11,7	17,5	455
P-SL-6G	G3/8"	34,5	15,0	20,6	365
P-SL-8G	G1/2"	37,0	18,7	25,4	338
P-SL-12G	G3/4"	46,5	23,5	31,8	317
P-SL-16G	G1"	48,8	29,7	42,9	303





**P-SSL**

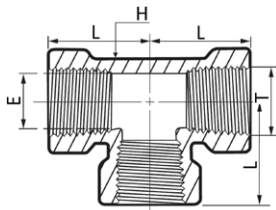
Elbow M/F BSPP thread



CODE	T1	T2	E	L	S	H WRENCH FLAT	PN (BAR)
P-SSL-2GR	R1/8"	G1/8"	4,8	24,1	19,6	12,7	448
P-SSL-4GR	R1/4"	G1/4"	7,1	29,0	26,5	17,5	455
P-SSL-6GR	R3/8"	G3/8"	9,6	34,5	28,2	20,6	365
P-SSL-8GR	R1/2"	G1/2"	11,9	37,0	35,3	25,4	338
P-SSL-12GR	R3/4"	G3/4"	15,7	46,5	39,6	31,8	317
P-SSL-16GR	R1"	G1"	22,3	48,8	49,2	42,9	303

**P-ST**

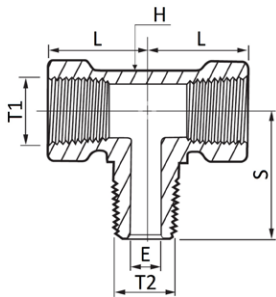
Tee F/F/F BSPP thread



CODE	T	E	L	H WRENCH FLAT	PN (BAR)
P-ST-2G	G1/8"	8,9	24,1	12,7	448
P-ST-4G	G1/4"	11,7	29,0	17,5	455
P-ST-6G	G3/8"	15,0	34,5	20,6	365
P-ST-8G	G1/2"	18,7	37,0	25,4	338
P-ST-12G	G3/4"	23,5	46,5	31,8	317
P-ST-16G	G1"	29,7	48,5	42,9	303

**P-SBT**

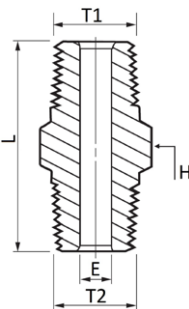
Tee F/M/F BSPP thread



CODE	T1	T2	E	L	S	H WRENCH FLAT	PN (BAR)
P-SBT-2GR	G1/8"	R1/8"	4,8	24,1	19,6	12,7	448
P-SBT-4GR	G1/4"	R1/4"	7,1	29,0	26,5	17,5	455
P-SBT-6GR	G3/8"	R3/8"	9,6	34,5	28,2	20,6	365
P-SBT-8GR	G1/2"	R1/2"	11,9	37,0	35,3	25,4	338
P-SBT-12GR	G3/4"	R3/4"	15,7	46,5	39,6	31,8	317
P-SBT-16GR	G1"	R1"	22,3	48,8	49,2	42,9	303

**P-SHN**

Adaptator nipple NPT/BSPT thread

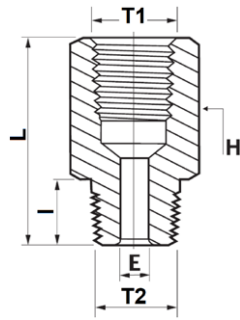


CODE	T1	T2	L	E	H WRENCH FLAT	PN (BAR)
P-SHN-2NR	N1/8"	R1/8"	24,6	4,1	11,1	689
P-SHN-4NR	N1/4"	R1/4"	35,6	6,4	14,2	551
P-SHN-6NR	N3/8"	R3/8"	36,3	9,7	17,4	538
P-SHN-8NR	N1/2"	R1/2"	46,0	11,9	22,2	531
P-SHN-12NR	N3/4"	R3/4"	46,7	15,7	26,9	503
P-SHN-16NR	N1"	R1"	58,9	22,4	34,9	365



**P-MFAA**

Adaptator female NPT - male BSPT thread



CODE	T1	T2	L	I	E	H	PN (BAR)
P-MFAA-2RN	N1/8"	R1/8"	27,4	9,7	4,8	14,2	448
P-MFAA-4RN	N1/4"	R1/4"	35,8	14,2	7,1	19,05	455
P-MFAA-6RN	N3/8"	R3/8"	37,6	14,2	9,7	22,2	365
P-MFAA-8RN	N1/2"	R1/2"	49,0	19,1	11,9	26,9	338
P-MFAA-12RN	N3/4"	R3/4"	50,3	19,1	15,7	31,8	317
P-MFAA-16RN	N1"	R1"	58,0	23,9	22,3	41,2	303



**STANDARD  
FITTINGS**  
DISTRIBUTION  
MANIFOLDS

**PLUS**

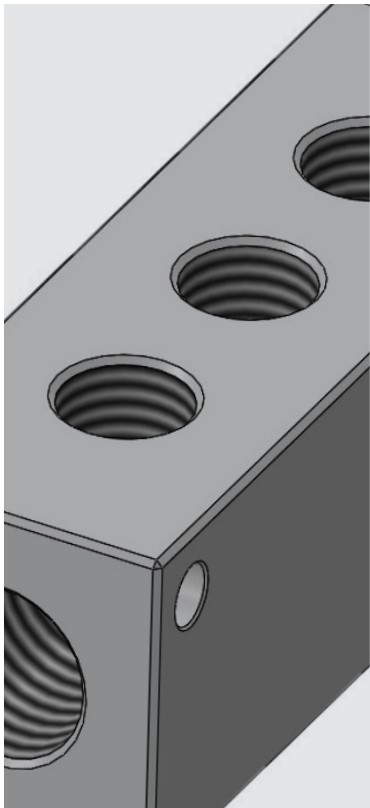
**COMPACTS**

**LIGHT**

**MANY CONFIGURATIONS**



p. 353 / **4100**p. 353 / **4150**p. 354 / **4200**



-10°C ÷ +80°C



20 Bar



Compressed air, oil and fluids suitable with construction materials



Parallel gas BSPP ISO 228 from G1/8" to G1/2"  
Metric ISO 262 - M5



Aluminum with tumbling  
Anodized on demand

Available on demand and drawing distribution manifolds customized



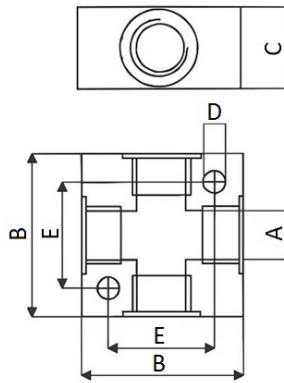
Products in compliance with the directive 2002/95/EC

**RoHS2**

Products in compliance with the directive 2011/65/EU

4100

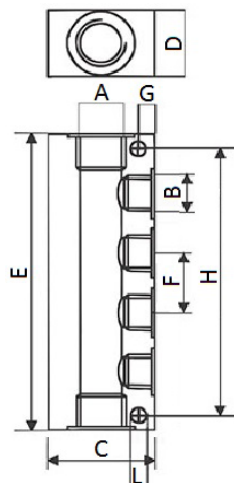
Aluminum tee cross



CODE	A	B	C	D	E	GR.
4100TR18	G1/8"	25,0	16,0	4,5	17,0	17,5
4100TR14	G1/4"	40,0	20,0	5,5	26,0	60,0
4100TR38	G3/8"	40,0	25,0	5,5	26,0	70,0
4100TR12	G1/2"	50,0	30,0	5,5	34,0	129,0

4150

Aluminum single distribution manifold



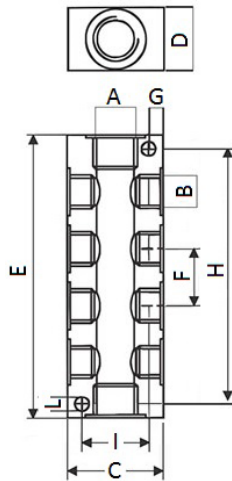
CODE	A	B	C	D	E	F	G	H	L	GR.
4150TR18M52	G1/8"	M5-2	25,0	16,0	45,0	15,0	3,5	33,0	4,5	38,0
4150TR18M53	G1/8"	M5-3	25,0	16,0	60,0	15,0	3,5	48,0	4,5	50,0
4150TR18M54	G1/8"	M5-4	25,0	16,0	75,0	15,0	3,5	63,0	4,5	64,0
4150TR18M55	G1/8"	M5-5	25,0	16,0	90,0	15,0	3,5	78,0	4,5	79,0
4150TR18M56	G1/8"	M5-6	25,0	16,0	105,0	15,0	3,5	93,0	4,5	90,0
4150TR14182	G1/4"	G1/8"-2	30,0	20,0	54,0	18,0	4,5	45,0	4,5	64,0
4150TR14183	G1/4"	G1/8"-3	30,0	20,0	72,0	18,0	4,5	63,0	4,5	86,0
4150TR14184	G1/4"	G1/8"-4	30,0	20,0	90,0	18,0	4,5	81,0	4,5	110,0
4150TR14185	G1/4"	G1/8"-5	30,0	20,0	108,0	18,0	4,5	99,0	4,5	130,0
4150TR14186	G1/4"	G1/8"-6	30,0	20,0	126,0	18,0	4,5	117,0	4,5	154,0



4150TR38142	G3/8"	G1/4"-2	40,0	25,0	68,0	24,0	4,5	51,0	5,5	136,0
4150TR38143	G3/8"	G1/4"-3	40,0	25,0	92,0	24,0	4,5	75,0	5,5	184,0
4150TR38144	G3/8"	G1/4"-4	40,0	25,0	116,0	24,0	4,5	99,0	5,5	238,0
4150TR38145	G3/8"	G1/4"-5	40,0	25,0	140,0	24,0	4,5	123,0	5,5	298,0
4150TR38146	G3/8"	G1/4"-6	40,0	25,0	164,0	24,0	4,5	147,0	5,5	338,0
4150TR12382	G1/2"	G3/8"-2	50,0	30,0	78,0	26,0	6,5	59,0	5,5	228,0
4150TR12383	G1/2"	G3/8"-3	50,0	30,0	104,0	26,0	6,5	85,0	5,5	304,0
4150TR12384	G1/2"	G3/8"-4	50,0	30,0	130,0	26,0	6,5	111,0	5,5	380,0
4150TR12385	G1/2"	G3/8"-5	50,0	30,0	156,0	26,0	6,5	137,0	5,5	456,0
4150TR12386	G1/2"	G3/8"-6	50,0	30,0	182,0	26,0	6,5	163,0	5,5	530,0
4150TR12122	G1/2"	G1/2"-2	50,0	30,0	102,0	34,0	6,5	83,0	5,5	292,0
4150TR12123	G1/2"	G1/2"-3	50,0	30,0	136,0	34,0	6,5	117,0	5,5	392,0
4150TR12124	G1/2"	G1/2"-4	50,0	30,0	170,0	34,0	6,5	151,0	5,5	488,0
4150TR12125	G1/2"	G1/2"-5	50,0	30,0	204,0	34,0	6,5	185,0	5,5	584,0
4150TR12126	G1/2"	G1/2"-6	50,0	30,0	238,0	34,0	6,5	219,0	5,5	682,0

4200

Aluminum double distribution manifold



CODE	A	B	C	D	E	F	G	H	L	I	GR.
4200TR18M522	G1/8"	M5-2+2	25,0	16,0	45,0	15,0	3,5	33,0	4,5	18,0	37,0
4200TR18M533	G1/8"	M5-3+3	25,0	16,0	60,0	15,0	3,5	48,0	4,5	18,0	50,0
4200TR18M544	G1/8"	M5-4+4	25,0	16,0	75,0	15,0	3,5	63,0	4,5	18,0	62,0
4200TR18M555	G1/8"	M5-5+5	25,0	16,0	90,0	15,0	3,5	78,0	4,5	18,0	74,0
4200TR18M566	G1/8"	M5-6+6	25,0	16,0	105,0	15,0	3,5	93,0	4,5	18,0	98,0
4200TR141822	G1/4"	G1/8"-2+2	30,0	20,0	54,0	18,0	4,5	45,0	4,5	21,0	60,0
4200TR141833	G1/4"	G1/8"-3+3	30,0	20,0	72,0	18,0	4,5	63,0	4,5	21,0	81,0
4200TR141844	G1/4"	G1/8"-4+4	30,0	20,0	90,0	18,0	4,5	81,0	4,5	21,0	100,0
4200TR141855	G1/4"	G1/8"-5+5	30,0	20,0	108,0	18,0	4,5	99,0	4,5	21,0	122,0
4200TR141866	G1/4"	G1/8"-6+6	30,0	20,0	126,0	18,0	4,5	117,0	4,5	21,0	142,0
4200TR381422	G3/8"	G1/4"-2+2	40,0	25,0	68,0	24,0	6	51,0	5,5	28,0	127,0
4200TR381433	G3/8"	G1/4"-3+3	40,0	25,0	92,0	24,0	6	75,0	5,5	28,0	170,0
4200TR381444	G3/8"	G1/4"-4+4	40,0	25,0	116,0	24,0	6	99,0	5,5	28,0	216,0
4200TR381455	G3/8"	G1/4"-5+5	40,0	25,0	140,0	24,0	6	123,0	5,5	28,0	266,0
4200TR381466	G3/8"	G1/4"-6+6	40,0	25,0	164,0	24,0	6	147,0	5,5	28,0	312,0
4200TR123822	G1/2"	G3/8"-2+2	50,0	30,0	78,0	26,0	6,5	59,0	5,5	37,0	210,0
4200TR123833	G1/2"	G3/8"-3+3	50,0	30,0	104,0	26,0	6,5	85,0	5,5	37,0	278,0
4200TR123844	G1/2"	G3/8"-4+4	50,0	30,0	130,0	26,0	6,5	111,0	5,5	37,0	344,0
4200TR123855	G1/2"	G3/8"-5+5	50,0	30,0	156,0	26,0	6,5	137,0	5,5	37,0	412,0
4200TR123866	G1/2"	G3/8"-6+6	50,0	30,0	182,0	26,0	6,5	163,0	5,5	37,0	478,0
4200TR121222	G1/2"	G1/2"-2+2	50,0	30,0	102,0	34,0	6,5	83,0	5,5	37,0	268,0
4200TR121233	G1/2"	G1/2"-3+3	50,0	30,0	136,0	34,0	6,5	117,0	5,5	37,0	348,0
4200TR121244	G1/2"	G1/2"-4+4	50,0	30,0	170,0	34,0	6,5	151,0	5,5	37,0	430,0
4200TR121255	G1/2"	G1/2"-5+5	50,0	30,0	204,0	34,0	6,5	185,0	5,5	37,0	512,0
4200TR121266	G1/2"	G1/2"-6+6	50,0	30,0	238,0	34,0	6,5	219,0	5,5	37,0	596,0



# STANDARD FITTINGS

DISTRIBUTION  
MANIFOLDS  
INOX AISI 304

PLUS

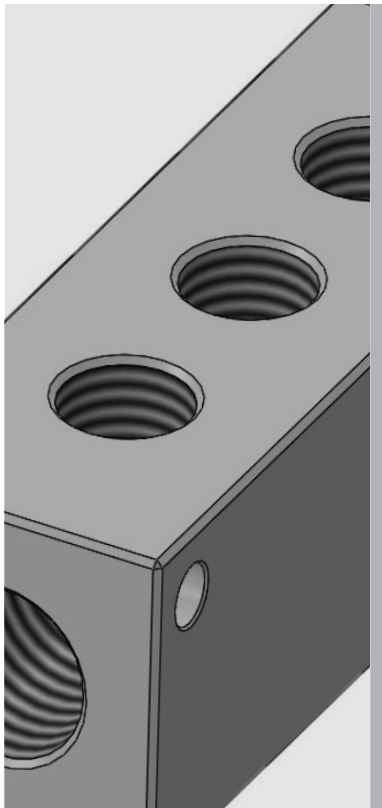
HIGH TEMPERATURE

UP TO 25 BAR



p. 356 / **4150TRX**





Up to 100°C



Up to 25 Bar



Compressed air, water, oil and fluids suitable with construction materials



Inlet thread: parallel gas  
BSPP ISO 228 from G1-1/2" to G2"

Outlet thread: taper  
BSPT ISO 7 - R3/4"

Gauge thread: parallel gas  
BSPP ISO 228 - G1/2"



Stainless steel AISI 304



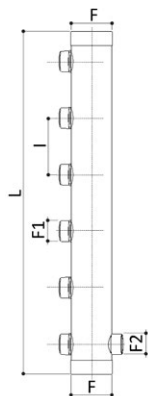
Products in compliance with the directive 2002/95/EC

**RoHS2**

Products in compliance with the directive 2011/65/EU

4150TRX

Stainless steel Inox AISI 304 distribution manifold



CODE	T	F1	F2	I	L	N° HOLES
4150TRX112344	G1"1/2	R3/4"	G1/2"	70,0	291,0	4
4150TRX112345	G1"1/2	R3/4"	G1/2"	70,0	361,0	5
4150TRX112346	G1"1/2	R3/4"	G1/2"	70,0	431,0	6
4150TRX112347	G1"1/2	R3/4"	G1/2"	70,0	501,0	7
4150TRX112348	G1"1/2	R3/4"	G1/2"	70,0	571,0	8
4150TRX112349	G1"1/2	R3/4"	G1/2"	70,0	641,0	9
4150TRX1123410	G1"1/2	R3/4"	G1/2"	70,0	711,0	10
4150TRX1123411	G1"1/2	R3/4"	G1/2"	70,0	781,0	11
4150TRX1123412	G1"1/2	R3/4"	G1/2"	70,0	851,0	12
4150TRX1123413	G1"1/2	R3/4"	G1/2"	70,0	921,0	13
4150TRX1123414	G1"1/2	R3/4"	G1/2"	70,0	991,0	14
4150TRX2344	G2"	R3/4"	G1/2"	70,0	299,0	4
4150TRX2345	G2"	R3/4"	G1/2"	70,0	369,0	5
4150TRX2346	G2"	R3/4"	G1/2"	70,0	439,0	6
4150TRX2347	G2"	R3/4"	G1/2"	70,0	509,0	7
4150TRX2348	G2"	R3/4"	G1/2"	70,0	579,0	8
4150TRX2349	G2"	R3/4"	G1/2"	70,0	649,0	9
4150TRX23410	G2"	R3/4"	G1/2"	70,0	719,0	10
4150TRX23411	G2"	R3/4"	G1/2"	70,0	789,0	11
4150TRX23412	G2"	R3/4"	G1/2"	70,0	859,0	12
4150TRX23413	G2"	R3/4"	G1/2"	70,0	929,0	13
4150TRX23414	G2"	R3/4"	G1/2"	70,0	999,0	14





# **STANDARD FITTINGS SILENCERS**

**PLUS**

**SUITABLE BOTH FOR LOW AND HIGH  
TEMPERATURE ACCORDINGLY TO THE  
CONSTRUCTION MATERIAL**

**DIFFERENT KIND OF MATERIAL FOR  
EVERY KIND OF APPLICATION**

**COMPACTS**





p. 359 / **6100**



p. 359 / **6150**



p. 360 / **6200**



p. 360 / **6250**



p. 360 / **6300**



p. 360 / **6350**



p. 361 / **6400**



p. 361 / **6450**



p. 361 / **6500**



p. 361 / **6550**



p. 362 / **6600**



p. 362 / **6650**



p. 362 / **6670**



p. 362 / **6700**



p. 363 / **6750**



p. 363 / **6780**



p. 363 / **6820**



p. 363 / **6850**

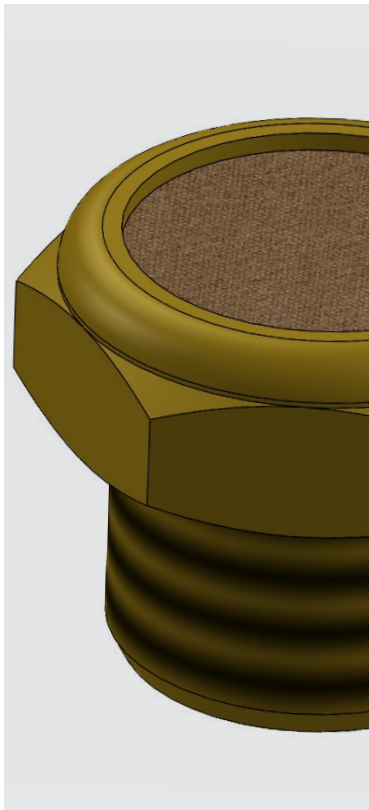


p. 364 / **6880**



p. 364 / **6882**





-20°C ÷ +80°C  
-20°C ÷ +300°C  
for codes 6880 and 6882



10 Bar  
6 Bar for code 6700,  
6750 and 6780



Compressed air



Parallel gas BSPP ISO 228  
from G1/8" to G1"  
Metric ISO 262 - M5



- 6100, 6150, 6550 and 6600 sinterized spheric bronze powder on the coppered steel base
- 6200, 6250, 6300, 6350, 6400, 6650 and 6670 sinterized spheric bronze powder on the brass base
- 6450 and 6500 stainless steel wire on the brass base
- 6700 and 6750 plastic
- 6780 polyethylene
- 6820 stainless steel wire on nylon base
- 6850 stainless steel wire on stainless steel base
- 6880 stainless steel AISI 316L



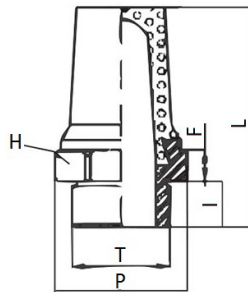
Products in compliance with the directive 2002/95/EC

**RoHS2**

Products in compliance with the directive 2011/65/EU

**6100**

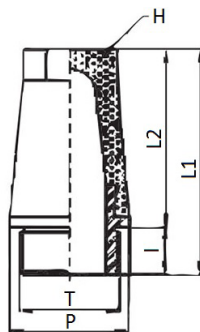
Cone-shaped silencer of sinterized spheric bronze with hex coppered steel base



CODE	T	ØP	I	F	L	H	GR.
6100TRM5	M5	5,5	3,5	3,0	17,0	7	2,0
6100TR18	G1/8"	10,5	4,5	3,5	21,0	12	6,0
6100TR14	G1/4"	12,5	6,0	4	27,0	15	12,5
6100TR38	G3/8"	17,0	7,0	5,4	35,0	19	23,0
6100TR12	G1/2"	20,5	8,0	6,0	41,5	23	39,0
6100TR34	G3/4"	26,5	9,0	7,5	54,0	30	78,5
6100TR1	G1"	33,0	11,0	8,0	67,0	36	149,5

**6150**

Hexagonal head cone-shaped silencer of sinterized spheric bronze with circular coppered steel base

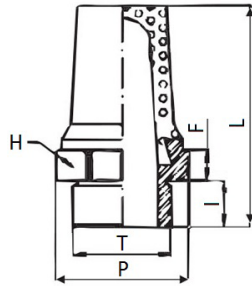


CODE	T	ØP	I	L1	L2	H	GR.
6150TR18	G1/8"	11,5	4,5	22,5	17,0	8	6,5
6150TR14	G1/4"	15,0	6,0	28,5	22,0	10	12,5
6150TR38	G3/8"	19,0	7,0	36,0	29,0	13	23,5
6150TR12	G1/2"	23,0	8,0	44,0	35,0	15	39,0
6150TR34	G3/4"	30,0	9,0	56,0	47,0	19	77,5
6150TR1	G1"	37,0	11,0	66,0	58,0	24	139,0



6200

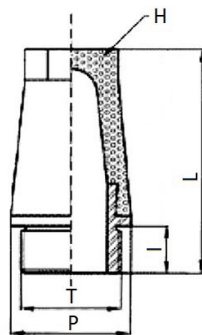
Cone-shaped silencer of sinterized spherical bronze riveted on hexagonal brass base



CODE	T	ØP	I	F	L	H	GR.
6200TRM5	M5	7,5	3,5	4,0	18,5	8	2,5
6200TR18	G1/8"	12,5	6,0	4,0	26,0	13	9,5
6200TR14	G1/4"	14,5	6,0	5,0	34,0	16	16,5
6200TR38	G3/8"	19,0	8,0	5,0	41,0	19	26,5
6200TR12	G1/2"	22,5	8,0	6,0	46,0	24	46,5
6200TR34	G3/4"	28,5	10,0	6,0	56,0	30	81,5
6200TR1	G1"	35,0	10,0	6,0	66,0	36	134,0

6250

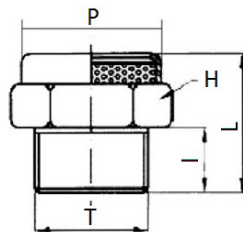
Hexagonal head cone-shaped silencer of sinterized spherical bronze riveted on circular brass base



CODE	T	ØP	I	L	H	GR.
6250TR18	G1/8"	13,0	7,0	27,0	6,0	8,5
6250TR14	G1/4"	16,0	8,0	30,0	7,0	13
6250TR38	G3/8"	19,0	8,0	40,0	10,0	23
6250TR12	G1/2"	24,0	10,0	46,0	13,0	40
6250TR34	G3/4"	30,0	10,0	54,0	17,0	73,5
6250TR1	G1"	38,0	10,0	61,0	22,0	145

6300

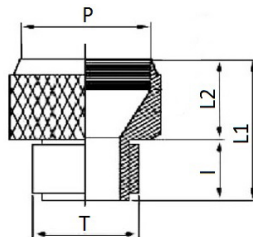
Silencer of sinterized spherical bronze riveted on hexagonal brass pastille base



CODE	T	ØP	I	L	H	GR.
6300TRM5	M5	6,5	4,0	8,5	8	2,0
6300TR18	G1/8"	11,0	6,0	12,0	13	6,5
6300TR14	G1/4"	15,5	8,0	16,0	16	11,0
6300TR38	G3/8"	18,5	8,0	17,0	19	16,5
6300TR12	G1/2"	22,0	10,0	18,0	24	26,0
6300TR34	G3/4"	28,0	10,0	19,0	30	39,5
6300TR1	G1"	34,0	10,0	20,0	36	60,0

6350

Silencer of sinterized spherical bronze riveted on circular knurled brass pastille base

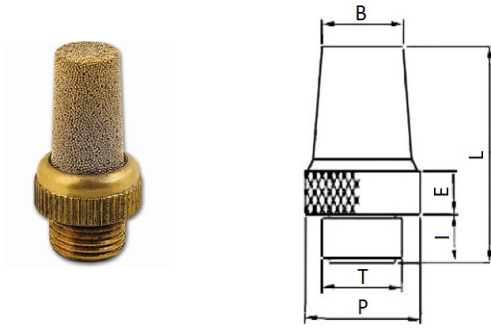


CODE	T	ØP	I	L1	L2	GR.
6350TR18	G1/8"	11,0	7,0	13,0	6,0	7,0
6350TR14	G1/4"	14,0	8,0	16,0	6,0	7,0
6350TR38	G3/8"	17,0	8,0	14,0	6,0	10,0
6350TR12	G1/2"	22,0	10,0	18,0	8,0	10,0
6350TR34	G3/4"	28,0	10,0	18,0	10,0	12,0
6350TR1	G1"	34,0	10,0	19,0	9,0	12,0



6400

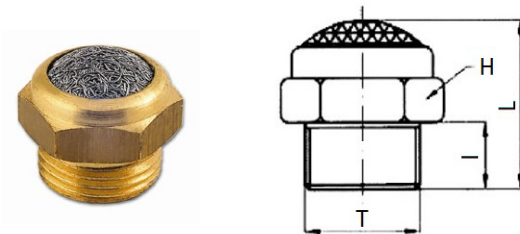
Cone-shaped silencer of sinterized spherical bronze riveted on circular knurled brass base



CODE	T	ØP	I	B	E	L	GR.
6400TR18	G1/8"	13,0	7,0	8,5	4,0	37,0	9
6400TR14	G1/4"	16,0	8,0	11,0	4,5	34,0	13,5
6400TR38	G3/8"	19,0	8,0	14,0	5,0	41,0	23
6400TR12	G1/2"	24,0	10,0	17,0	5,0	46,0	45
6400TR34	G3/4"	30,0	10,0	21,0	5,0	56,0	80
6400TR1	G1"	38,0	10,0	26,5	6,0	66,0	133,5

6450

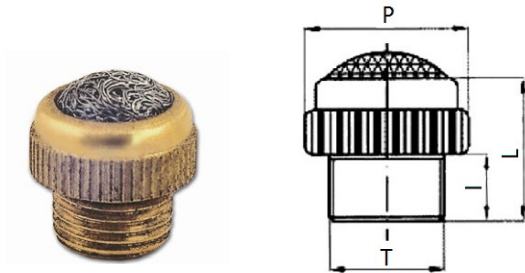
Stainless steel wire silencers on hexagonal brass base



CODE	T	I	L	H	GR.
6450TRM5	M5	4,0	8,5	8,0	1,5
6450TR18	G1/8"	6,0	15,0	13,0	6,0
6450TR14	G1/4"	7,0	19,0	16,0	10,5
6450TR38	G3/8"	8,0	20,0	19,0	16,5
6450TR12	G1/2"	10,0	22,0	24,0	24,5
6450TR34	G3/4"	10,0	24,0	30,0	37,0
6450TR1	G1"	12,0	28,0	36,0	56,5

6500

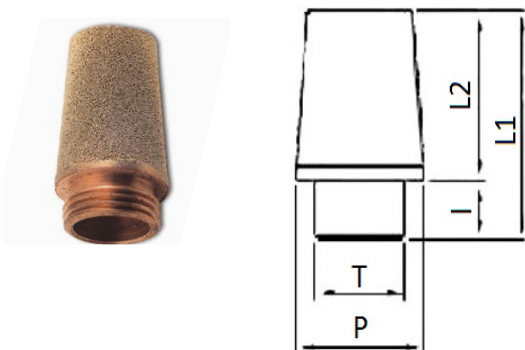
Silencer of stainless steel wire riveted on circular knurled brass base



CODE	T	ØP	I	L	GR.
6500TR18	G1/8"	13,0	7,0	14,0	5
6500TR14	G1/4"	16,0	8,0	18,0	8,5
6500TR38	G3/8"	19,0	8,0	20,0	13,5
6500TR12	G1/2"	24,0	10,0	22,0	23,5
6500TR34	G3/4"	30,0	10,0	24,0	30,5
6500TR1	G1"	38,0	10,5	27,0	57,5

6550

Cone e-shaped silencer of sinterized spherical bronze with circular coppered steel base

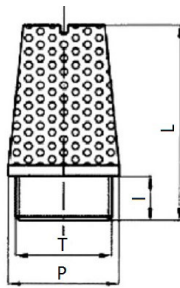


CODE	T	P	I	L1	L2	GR.
6550TR18	G1/8"	11,5	4,5	21,0	16,5	6,0
6550TR14	G1/4"	15,0	6,0	25,0	19,0	11,5
6550TR38	G3/8"	19,0	7,0	34,5	27,5	24,0
6550TR12	G1/2"	23,0	8,0	43,0	35,0	44,5
6550TR34	G3/4"	30,0	9,0	50,0	41,0	73,0
6550TR1	G1"	37,0	11,0	60,5	49,5	137,5



6600

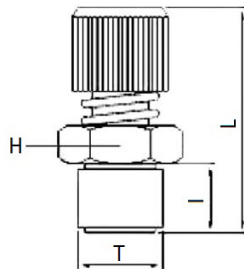
Cone e-shaped silencer of sinterized spherical bronze with circular brass coppered and screwdriver



CODE	T	P	I	L	GR.
6600TR18	G1/8"	11,5	4,5	22,0	6,0
6600TR14	G1/4"	15,0	6,0	26,0	13,0
6600TR38	G3/8"	19,0	7,0	34,5	24,5
6600TR12	G1/2"	23,0	8,0	43,0	42,0
6600TR34	G3/4"	30,0	9,0	50,0	75,0
6600TR1	G1"	37,0	11,0	60,5	136,0

6650

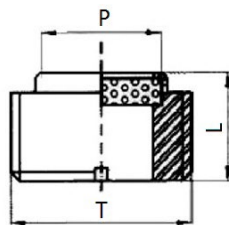
Silencer of sinterized bronze pastille with flow control



CODE	T	L MIN	L MAX	I	H	GR.
6650TR18	G1/8"	26,0	28,0	6,0	13	16,0
6650TR14	G1/4"	30,0	32,0	8,0	15	23,0
6650TR38	G3/8"	35,0	38,0	10,0	22	48,0
6650TR12	G1/2"	37,0	40,0	11,0	22	59,0

6670

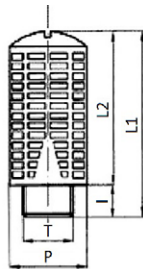
Cone-shaped silencer of sinterized spherical pastille with screwdriver



CODE	T	ØP	L	GR.
6670TR18	G1/8"	6,0	5,0	1,37
6670TR14	G1/4"	8,0	6,0	2,91
6670TR38	G3/8"	10,0	7,0	6,33
6670TR12	G1/2"	15,0	8,0	11,69
6670TR34	G3/4"	20,0	9,0	14,56
6670TR1	G1"	26,0	10,0	28,26

6700

Plastic dynamic silencer with balls

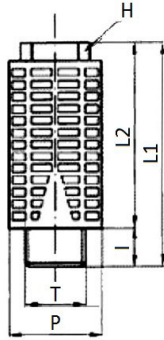


CODE	T	P	I	L1	L2	GR.
6700TR18	G1/8"	15	6	32,5	26,5	4,0
6700TR14	G1/4"	19,5	8	43	35	8,0
6700TR38	G3/8"	24,5	11	58	47	18,0
6700TR12	G1/2"	24,5	11	58	47	19,0
6700TR34	G3/4"	48	18	115	97	115,0
6700TR1	G1"	48	18	115	97	115,0



6750

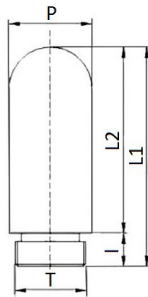
Plastic dynamic silencer with balls



CODE	T	P	I	L1	L2	H	GR.
6750TR18	G1/8"	16	6	34	28	10	4,0
6750TR14	G1/4"	19	8	44	36	12	7,0
6750TR38	G3/8"	24	10	56	47	16	14,0
6750TR12	G1/2"	24	10	56	47	16	15,0

6780

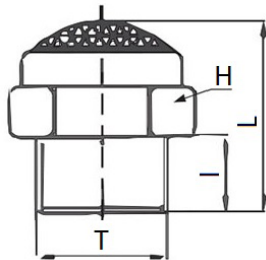
Noise silencer in polyethylene



CODE	T	ØP	I	L1	L2	GR.
6780TRM5	M5	7,0	4,0	24,5	20,5	2,8
6780TR18	G1/8"	13,0	7,5	32,5	25,0	3,7
6780TR14	G1/4"	17,0	8,0	39,0	31,0	10,0
6780TR38	G3/8"	25,0	11,0	65,0	54,0	13,5
6780TR12	G1/2"	25,0	11,0	69,0	58,0	37,0
6780TR34	G3/4"	37,0	15,5	138,0	122,5	47,0
6780TR1	G1"	47,0	19,5	157,0	137,5	90,0

6820

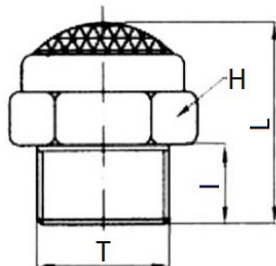
Inox wire silencer on nylon base



CODE	T	I	L	H	GR.
6820TR18	G1/8"	6	15	13	1,5
6820TR14	G1/4"	7	18	16	2,8
6820TR38	G3/8"	8	20	19	4,5
6820TR12	G1/2"	10	22	24	7,5

6850

Inox wire silencer

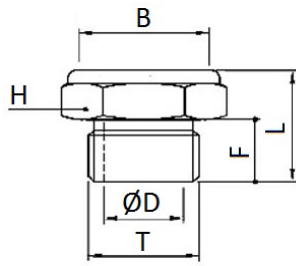


CODE	T	I	L	H	GR.
6850TR18	G1/8"	6	15	13	5,0
6850TR14	G1/4"	7	18	16	1,0
6850TR38	G3/8"	8	20	19	1,5
6850TR12	G1/2"	10	22	24	2,5
6850TR34	G3/4"	10	26	30	4,0
6850TR1	G1"	12	28	36	9,5



6880

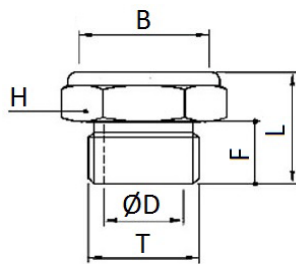
Inox AISI 316L wire silencer on inox AISI 316L base



CODE	T	ØD	B	F	L	H	GR.
6880TR18	G1/8"	6,0	10,0	8,0	15,0	14,0	8,0
6880TR14	G1/4"	8,0	12,5	8,0	15,0	17,0	12,0
6880TR38	G3/8"	12,0	17,5	10,0	18,0	22,0	20,0
6880TR12	G1/2"	15,0	21,5	12,0	22,0	27,0	38,0
6880TR34	G3/4"	20,0	28,0	15,0	27,0	32,0	62,0
6880TR1	G1"	26,0	34,0	18,0	32,0	41,0	118,0

6882

Inox AISI 316L wire silencer on inox AISI 316L base NPT thread



CODE	T	ØD	B	F	L	H	GR.
6882TR18	N1/8"	6,0	10,0	8,0	15,0	14,0	8,0
6882TR14	N1/4"	8,0	12,5	8,0	15,0	17,0	12,0
6882TR38	N3/8"	12,0	17,5	10,0	18,0	22,0	20,0
6882TR12	N1/2"	15,0	21,5	12,0	22,0	27,0	38,0
6882TR34	N3/4"	20,0	28,0	15,0	27,0	32,0	62,0
6882TR1	N1"	26,0	34,0	18,0	32,0	41,0	118,0

