



PXA/PEX

# HAZARDOUS PILOTS

# MECAIR - PXA/PEX HAZARDOUS PILOTS

PRODUCT LEAFLET



## DESCRIPTION

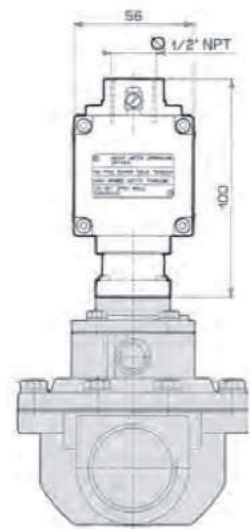
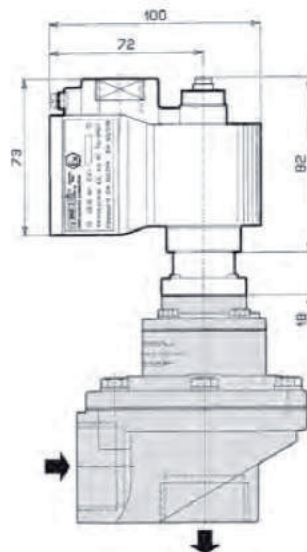
The two-way (normally closed) explosion-proof pilot model PXA 42F and PEX 42H is specifically designed to be installed on diaphragm valves type VEM. The PXA 42F and PEX 42H explosion-proof solenoid valve is designed for those applications where introduction of a spark may ignite the surrounding atmosphere. The PEX and PXA series has been designed and approved according to the ATEX Directive 94/9/CE and has II 2 G Ex d IIC T4 - II 2 D Ex tD A21 IP67 T135°C, IP67 water resistant, which ensures that any spark occurring within the solenoid will remain restricted within the internal area of the enclosure, with no possibility of spreading to the external environment.

## GENERAL CHARACTERISTICS

PROTECTION	II 2 Ex tD A21 IP67 T135°C
COIL INSULATION	Class H
COIL VOLTAGE	24 V AC – 50 Hz 24 V AC – 60 Hz 110/220 V – 50/60 Hz 24/110 V DC
POWER CONSUMPTION	19 VA/AC 12 W/DC
ENCLOSURE	Explosion-proof II 2 G Ex d IIC T4 - II 2 D Ex tD A21 IP67 T135°C
ELECTRICAL CONNECTION	R ½" or ½" NPT
APPROVALS INERIS	INERIS 03 ATEX 0071XII 2GD

SOLENOID PILOT	PXA42F	PXA42H	PEX42F	PEX42H
SOLENOID ENCLOSURE	Diecast aluminium – anodised	Diecast aluminium – anodised	Stainless steel	Stainless steel
SCREWS AND BOLTS	Nickel-plated brass	Stainless steel	Nickel-plated brass	Stainless steel
COIL VOLTAGE	Stainless steel	Stainless steel	Stainless steel	Stainless steel
GASKETS	Nitrile rubber	Nitrile rubber	Nitrile rubber	Nitrile rubber
WEIGHT	0.8 kg	0.8 kg	1.5 kg	1.5 kg

## PXA/PEX

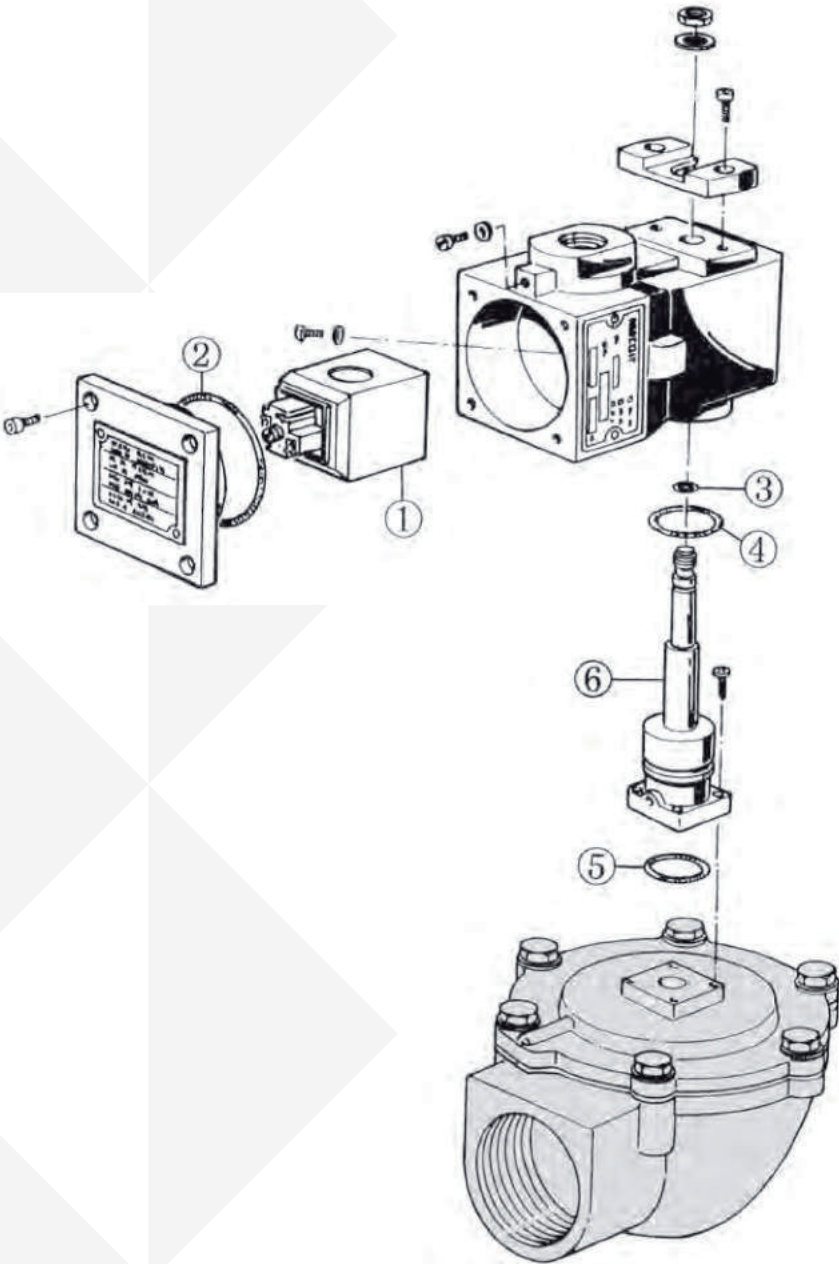


# MECAIR - PXA/PEX HAZARDOUS PILOTS

PRODUCT LEAFLET

## ASSEMBLY DIAGRAM

PXA/PEX



# MECAIR - PXA/PEX HAZARDOUS PILOTS

## PRODUCT LEAFLET

### DESCRIPTION

Mecair manufactures a complete range of explosion-proof solenoid pilots for compressed air or inert gas, in the 2- or 3-way version (normally closed). Bolts and screws are in stainless steel; gaskets are in NBR. Operating pressure range is from 0.5 to 8 bar. The explosion-proof pilot is certified II 2 G Ex d IIC T4 - II 2 D Ex tD A21 IP67 T135°C. The explosion-proof solenoid coils are in conformity with the European directive – ATEX 94/9/CE. The explosion-proof pilots can be mounted on Namur valves, industrial valves and any other valve where the use of a 2-way or 3-way valve is required.



### GENERAL CHARACTERISTICS

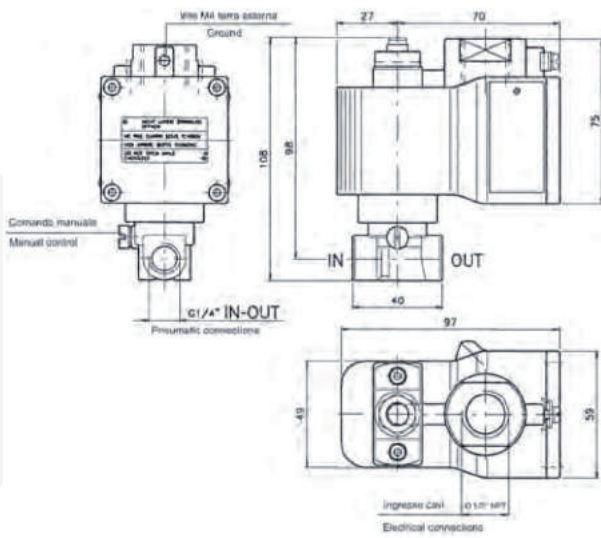
FLUIDS	Filtered, oil-free air or inert gas
PNEUMATIC CONNECTION	1/4" Gas
PROTECTION	II 2 D Ex tD A21 IP67 T135°C
COIL INSULATION	Class H
TEMPERATURE RANGE - SOLENOID COIL	-20°C/+80°C
COIL VOLTAGE	24 V AC - 50 Hz 24 V AC - 60 Hz 110/220 V AC - 50/60 Hz 24/110 V DC
ENCLOSURE	II 2 G Ex d IIC T4 - II 2 D Ex tD A21 IP67 T135°C Orientation in various positions
ELECTRICAL CONNECTION	1/2" NPT 1/2" NPT
APPROVALS INERIS	INERIS 03 ATEX 0071X II 2GD

MODEL	N. WAYS	Ø ORIFICE (MM)	ENCLOSURE	PILOT BODY	WEIGHTING KG
PEX42X	2	4	Stainless steel	Diecast aluminium - anodised	1.3
PEX42T	2	4	Stainless steel	Nickel-plated brass	1.3
PEX43T	3	1.5	Stainless steel	Nickel-plated brass	1.3
PXA42X	2	4	Diecast aluminium - anodised	Diecast aluminium - anodised	0.7
PXA42T	2	4	Diecast aluminium - anodised	Nickel-plated brass	0.7
PXA43T	3	1.5	Diecast aluminium - anodised	Nickel-plated brass	0.7

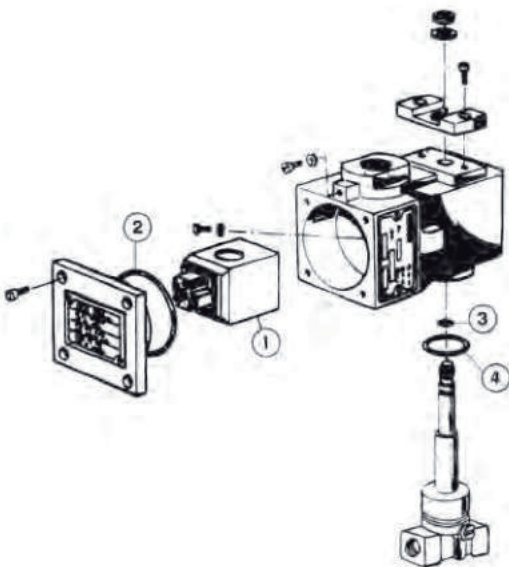
# MECAIR - PXA/PEX HAZARDOUS PILOTS

PRODUCT LEAFLET

## DIMENSIONS (MM)



## ASSEMBLY DIAGRAM



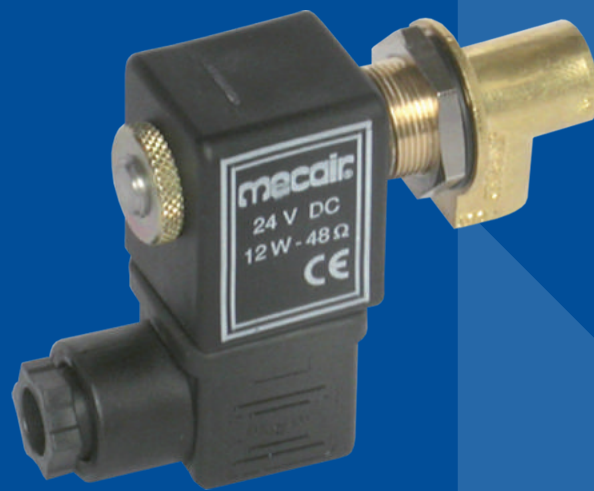


**MECAIR SRL**

VIA BERTACCIOLA, 50, 20813 BOVISIO MASCIAGO (MB), ITALY [WWW.GOYENMECAIR.PENTAIR.COM](http://WWW.GOYENMECAIR.PENTAIR.COM)

Note: The information and data contained in this document are based on our general experience and are believed to be correct. They are given in good faith and are intended to provide a guideline for the selection and use of our products. Since the conditions under which our products may be used are beyond our control, this information does not imply any guarantee of final product performance and we cannot accept any liability with respect to the use of our products. The quality of our products is guaranteed under our conditions of sale. Existing industrial property rights must be observed.

PL PENTAIR MECAIR HAZARDOUS PILOTS 3517 © 2017 Pentair. All Rights Reserved.



PR 1/4"

# PILOT VALVE

# MECAIR - PR 1/4"

## PILOT VALVE

PRODUCT LEAFLET



### DESCRIPTION

The PR 1/4" single remote solenoid pilot has been designed for the control of VEM type diaphragm valves. PR 1/4" can be installed on the interior wall of any control box or external part of the filter, located near the diaphragm valves. To install the PR 1/4" it is necessary to drill a hole of 18.5 mm DN in the control box wall, leaving the pneumatic connection (PR 1/4") outside the box. Anchor the solenoid pilot to the wall with the locknut. The pneumatic connection to the remotely piloted diaphragm valve is made with pneumatic pipe with an OD of 8 mm. The pneumatic pipe should not exceed a maximum length of 2 metres to ensure correct functioning of the pilot valve. The electrical connection is made inside the box by way of an IP65 connector with PG9 cable entry.

The PR 1/4" solenoid pilot body is manufactured in brass and is available with solenoids with a full range of voltages.

**Upon request** the solenoid is also available in accordance with the ATEX Directive 94/9/CE, Zone 22 (Dust).

The PR 1/4" is available with solenoid - 24DCX

[24 V DC/12 W] and DIN socket PLG11- ATEX

### GENERAL CHARACTERISTICS

VALVE CONNECTION	1/4" Gas
OPERATING PRESSURE	From 0.5 to 7.5 bar
EXHAUST	1/8" Gas

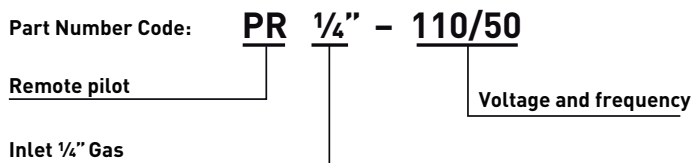
### CONSTRUCTION FEATURES - ENCLOSURE

PILOT BODY	Brass
FERRULE	Brass
LOCKNUT	Zinc coated
O-RING	NBR

### ELECTRICAL CHARACTERISTICS

ISOLATION CLASS	Class H
CONNECTOR	Pg9
STANDARD CONNECTOR	EN175301 - 803 / A/ISO 4400
OPTIONAL CONNECTOR	Conf. Dir. 94/9/CE ATEX II 3GD T6
ISOLATION CLASS CONNECTOR	VDE 0110 - 1/89
ELECTRICAL PROTECTION	IP65 EN60529
VOLTAGES	12 V DC (supply +10% max.) 18 W 24 V DC (supply +10% max.) 18 W 48 V DC (supply +10% max.) 18 W 110 V DC (supply +10% max.) 18 W 24 V 50/60 Hz (supply +10% max.) 38/31 VA 48 V 50/60 Hz (supply +10% max.) 41/32 VA 115 V 50/60 Hz (supply +10% max.) 63/53 VA 220/240 V 50/60 Hz (supply +10% max.) 46/37 VA
AMBIENT TEMPERATURE	-20°C/+60°C

### HOW TO ORDER



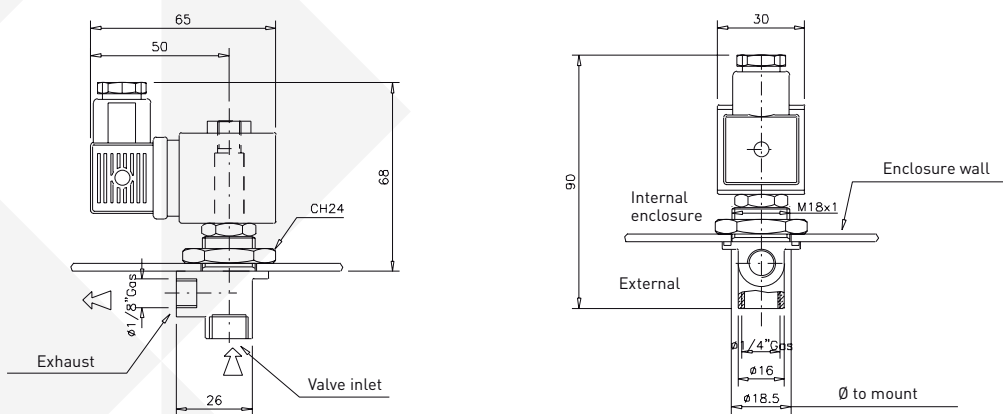


# MECAIR - PR 1/4"

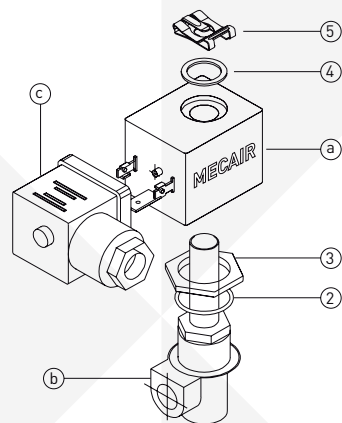
## PILOT VALVE

PRODUCT LEAFLET

### DIMENSIONS (MM)



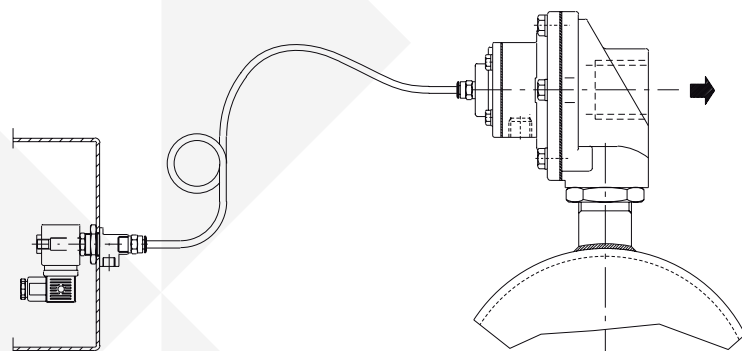
### EXPLODED VIEW - PILOT



POS.	DESCRIPTION	CODE
	a) Solenoid*	a) KIT SB4 - ../.. *
	b) Ferrule	b) KIT PR1/4
	c) DIN connector EN175301 - 803 IP65	c) KIT PLG9
2	O-ring OR2081	KIT M330013
3	Locknut M18 x 1	KIT M540028
4	Nylon seal $\phi 17$ sp. 2	KIT M530100
5	Fixing clip	KIT G690586

\* Specify voltage

### EXAMPLE OF ASSEMBLY APPLICATION





**MECAIR SRL**

VIA BERTACCIOLA, 50, 20813 BOVISIO MASCIAGO (MB), ITALY [WWW.GOYENMECAIR.PENTAIR.COM](http://WWW.GOYENMECAIR.PENTAIR.COM)

Note: The information and data contained in this document are based on our general experience and are believed to be correct. They are given in good faith and are intended to provide a guideline for the selection and use of our products. Since the conditions under which our products may be used are beyond our control, this information does not imply any guarantee of final product performance and we cannot accept any liability with respect to the use of our products. The quality of our products is guaranteed under our conditions of sale. Existing industrial property rights must be observed.  
PL PENTAIR MECAIR PILOT VALVE 3517 © 2017 Pentair. All Rights Reserved.